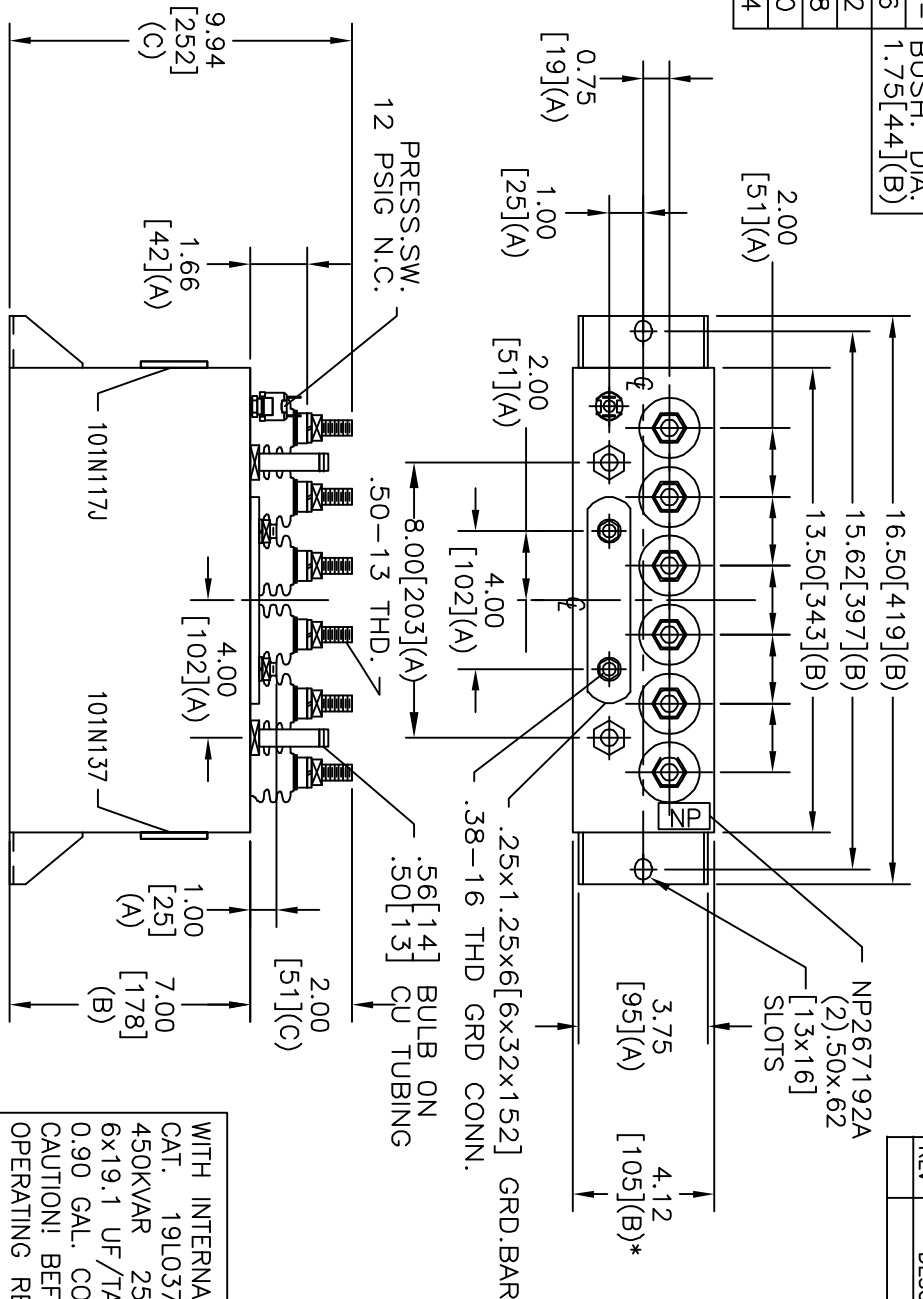
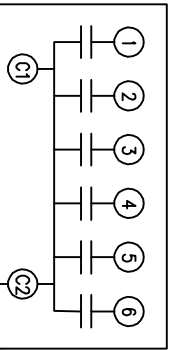


TOL	+/-	BUSH. DIA.
A	.06	1.75[44](B)
B	.12	
C	.18	
D	.50	
E	.04	



TERM	UF	KVAR
1	19.1	75
2	19.1	75
3	19.1	75
4	19.1	75
5	19.1	75
6	19.1	75



SCHEMATIC DIAGRAM - 601

WITH INTERNAL DISCH RESISTORS  
 CAT. 19L0370WH4 SN  
 450KVAR 250V 10000HZ 1PH  
 6x19.1 UF/TAP  
 0.90 GAL. COMBUSTIBLE LIQUID  
 CAUTION! BEFORE INSTALLING OR  
 OPERATING READ GEH-2733

NP267214

\* UP TO +.50[13]  
 CASE BULGE

MAX. TERMINAL  
 TIGHTENING TORQUE  
 15 FT-LBS

NP267192A



INDUSTRIAL SYSTEMS  
 FORT EDWARD, N.Y., U.S.A.

DRAWN

B. ROSS

DATE JAN 22, 2003

ISSUED

DATE 10/6/04

SIZE

A

SCALE

OUTLINE

19L0370WH4

SHEET 3

CONT ON -

DISTR. TO