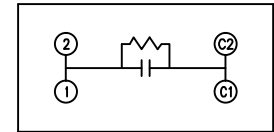
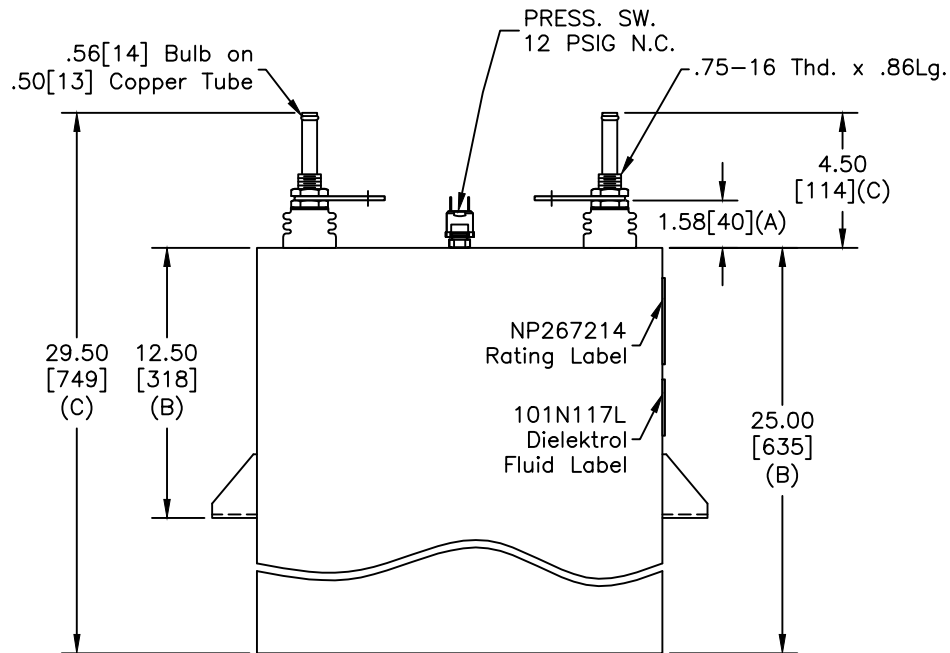
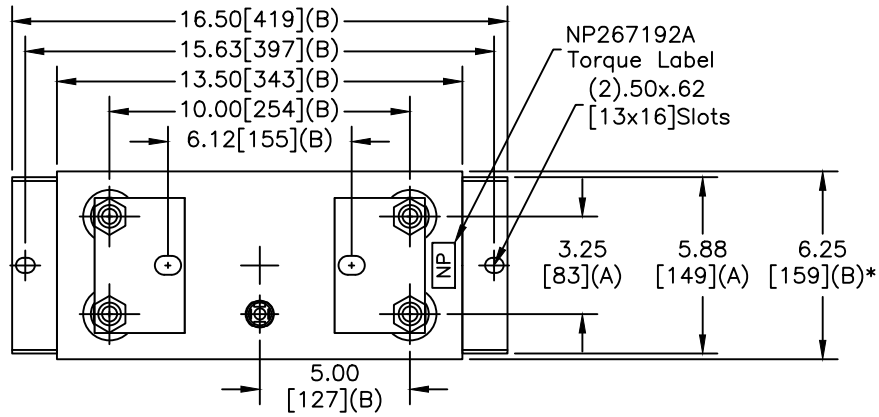


SIZE A	DWG NO 19L0450WH4	SHT 2	REV 2
REV 2	DESCRIPTION REMOVE SMALL NP	DATE 7/18/11	APPROVED DMR

TOL	+/-
A	.06
B	.12
C	.18
D	.50
E	.04
BUSH. DIA.	1.75[44](B)



SCHEMATIC DIAGRAM - 107

GE CAPACITOR
WITH INTERNAL DISCHARGE RESISTORS

CAT. 19L0450WH4 SN
1350KVAR 1500V 240HZ 1PH
397.9UF
2.9 GAL. COMBUSTIBLE LIQUID
CAUTION! BEFORE INSTALLING OR
OPERATING READ GEH-2733

MADE IN U.S.A. NP267214

* UP TO +.50[13] CASE BULGE

MAX. TERMINAL TIGHTENING TORQUE 15 FT-LBS.

NP267192A

GE ENERGY FORT EDWARD, N.Y., U.S.A.		SIZE A	Est Weight 102 lbs.	OUTLINE 19L0450WH4
DRAWN DMR	DATE 3/23/2011	SCALE		
ISSUED	DATE 3/23/2011	WC1	SHEET 2	CONT ON

DISTR. TO