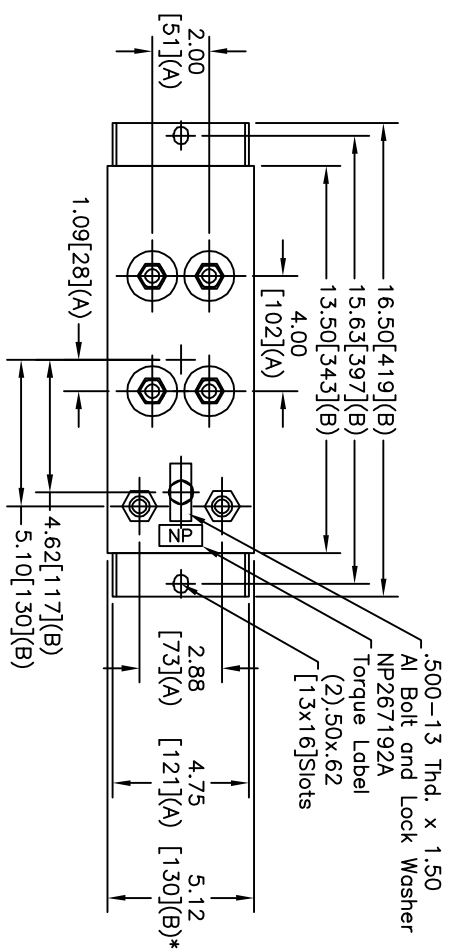
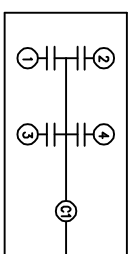
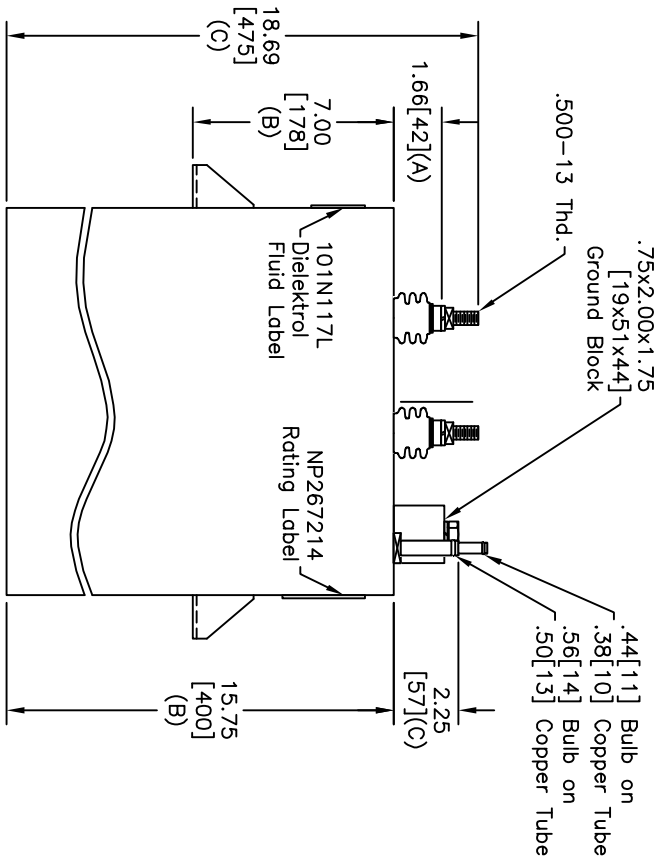


TOL	+/-
A	.06
B	.12
C	.18
D	.50
E	.04
BUSH, DIA	1.75[.44](B)



TERM	UF
1	150
2	150
3	150
4	150



NO INTERNAL DISCH RESISTORS
 CAT. 19L0497WH3 SN
 600UF 700VDC
 4x150UF/TAP
 2.0 GAL. COMBUSTIBLE LIQUID
 CAUTION! BEFORE INSTALLING OR
 OPERATING READ GEH-2733
 NP267214
 MADE IN USA

SIZE	DWG NO	SHT	REV
A	19L0497WH3	2	1
REV	DESCRIPTION	DATE	APPROVED
1	101N117L WAS J	5/10/2007	BTR

* UP TO +.50[.13]
 CASE BULGE
 MAX. TERMINAL
 TIGHTENING TORQUE
 15 FT-LBS.
 NP267192A

GE ENERGY FORT EDWARD, N.Y., U.S.A.		SIZE A	Est Weight 65 lbs.	<h1>OUTLINE</h1> <h2>19L0497WH3</h2>
DRAWN E. MCGINNIN	DATE 7/14/1999	SCALE	SHEET 2	
ISSUED	DATE 7/21/1999	DISTR. TO		