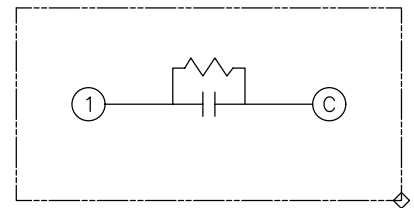
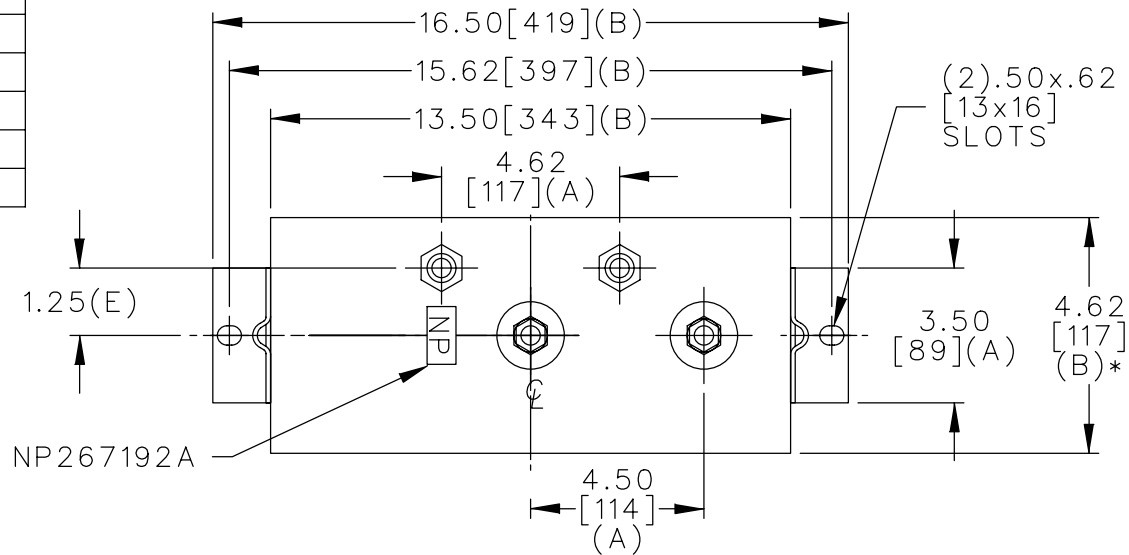
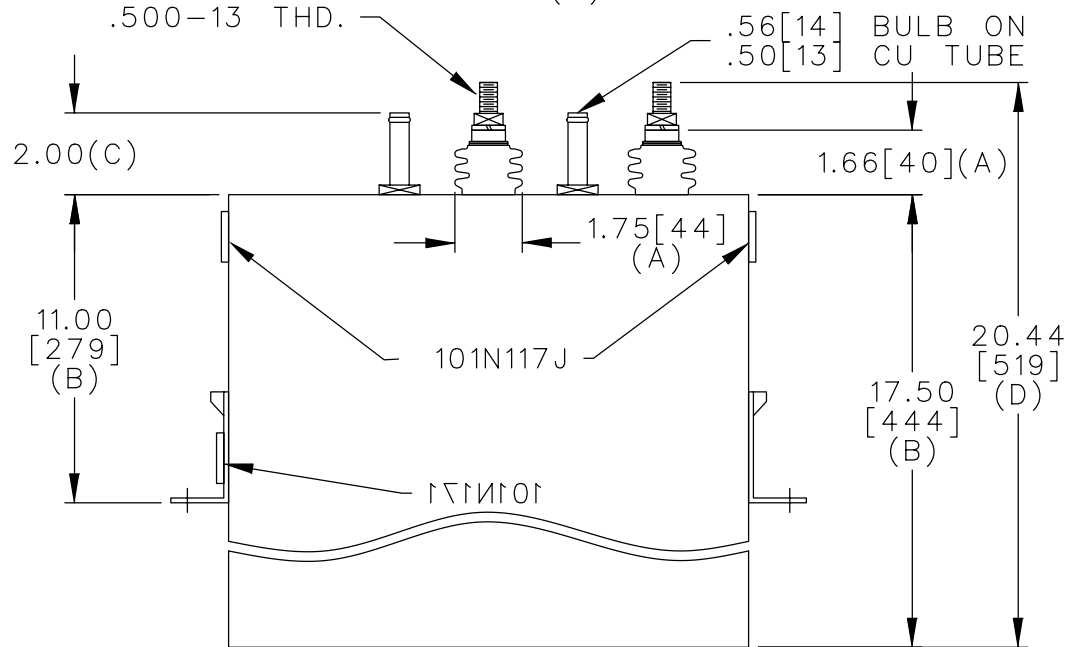


TOL	+/-
A	.06
B	.12
C	.18
D	.25
E	.03

SIZE A	DWG NO. 19L0499WH3	SH 2	REV
REV 1	McGINN 101N117J WAS NP267214		



SCHEMATIC DIAGRAM - 102



1200V 1PH
 120KVAR 60HZ
 CAT. 19L0499WH3 NO.
 1.7 GAL. MFG DATE
 GEH-2743

101N171

* UP TO +.50 [13]
 CASE BULGE

MAX. TERMINAL
 TIGHTENING TORQUE
 15 FT-LBS

NP267192A

	CAPACITOR & POWER PROTECTION FORT EDWARD, N.Y., U.S.A.		SIZE A	FSCM NO	OUTLINE 19L0499WH3	SHEET 2 CONT ON -
	DRAWN E.McGINN	OCT. 6, 1999	SCALE	DISTR TO		
ISSUED	10-6-99					