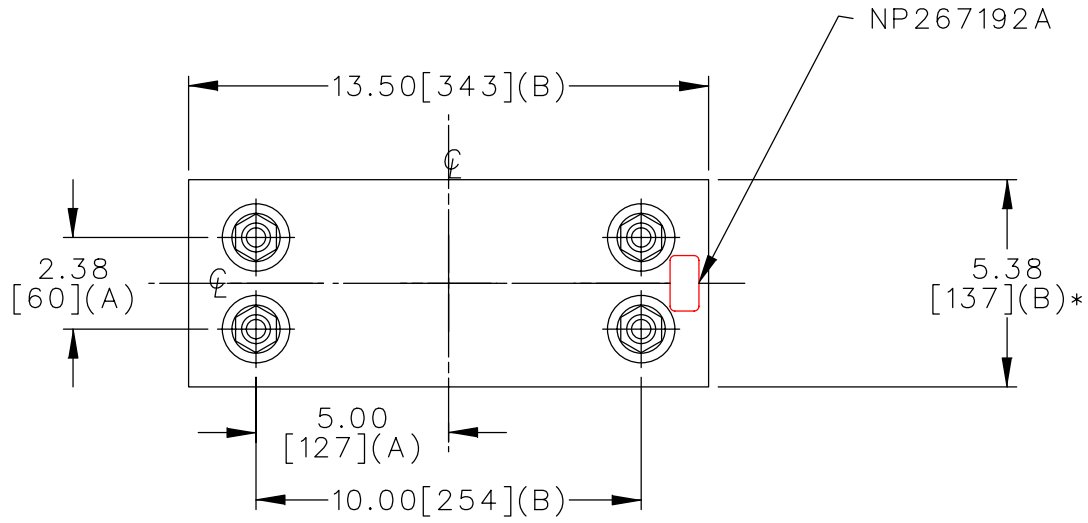
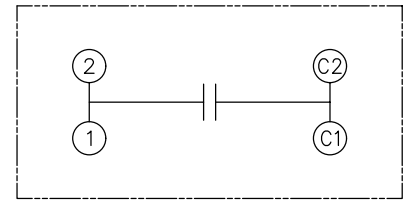
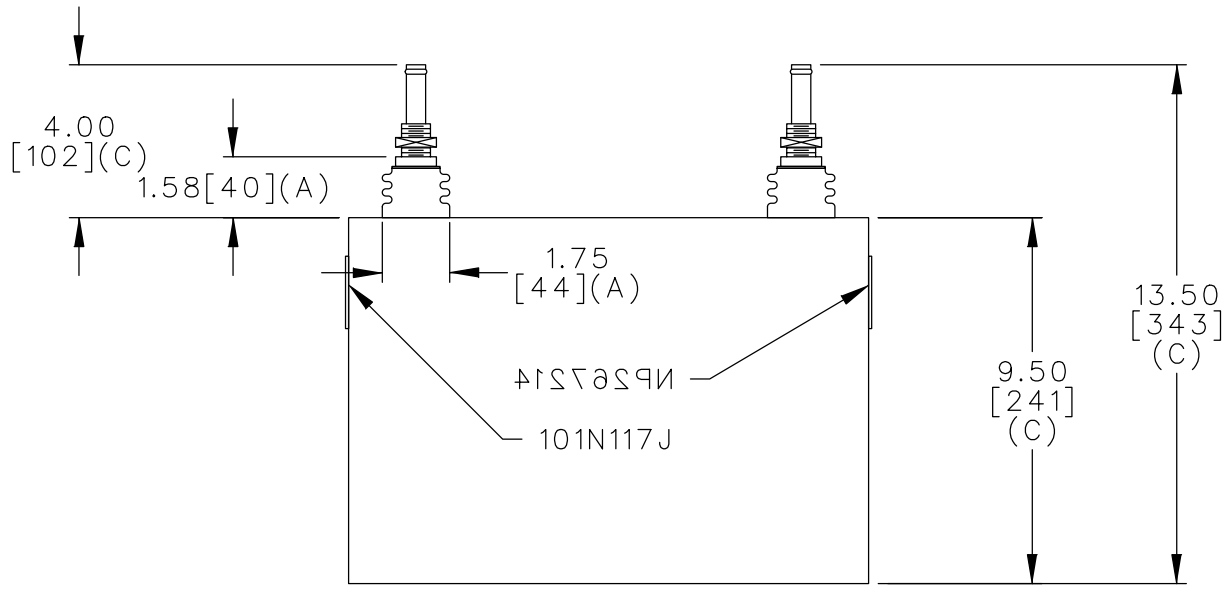


| | | | |
|-----------|-----------------------|---------|-----|
| SIZE A | DWG NO. 19L0539WH1 | SH 2 | REV |
| REV 2 | McGINN UPDATE CAT NO | | |



* UP TO +.50 CASE BULGE

| TOL | +/- |
|-----|-----|
| A | .06 |
| B | .12 |
| C | .18 |
| D | .25 |
| E | .03 |



SCHEMATIC DIAGRAM - 105

NO INTERNAL DISCH RESISTORS
 CAT. 19L0539WH1 SN
 3000KVAR 1250V 3000HZ 1PH
 101.9uF
 1.5 GAL. COMBUSTIBLE LIQUID
 CAUTION! BEFORE INSTALLING
 OR OPERATING READ GEH-2733
 NP267214

MAX. TERMINAL
 TIGHTENING TORQUE
 15 FT-LBS

NP267192A

| | | | | | | |
|--------|---|--------------|------------------|---------|-------------------------------------|----------|
| | CAPACITOR & POWER PROTECTION FORT EDWARD, N.Y., U.S.A. | | SIZE A | FSCM NO | OUTLINE 19L0539WH1 | DISTR TO |
| | DRAWN E.McGINN | MAY 12, 1997 | SCALE | SHEET 2 | | |
| ISSUED | 5-14-97 | | | | | |