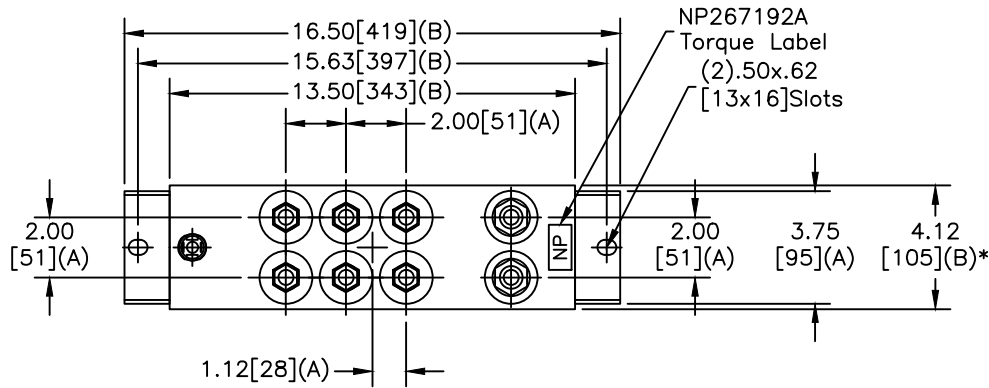
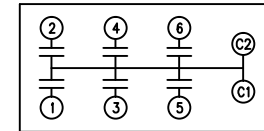
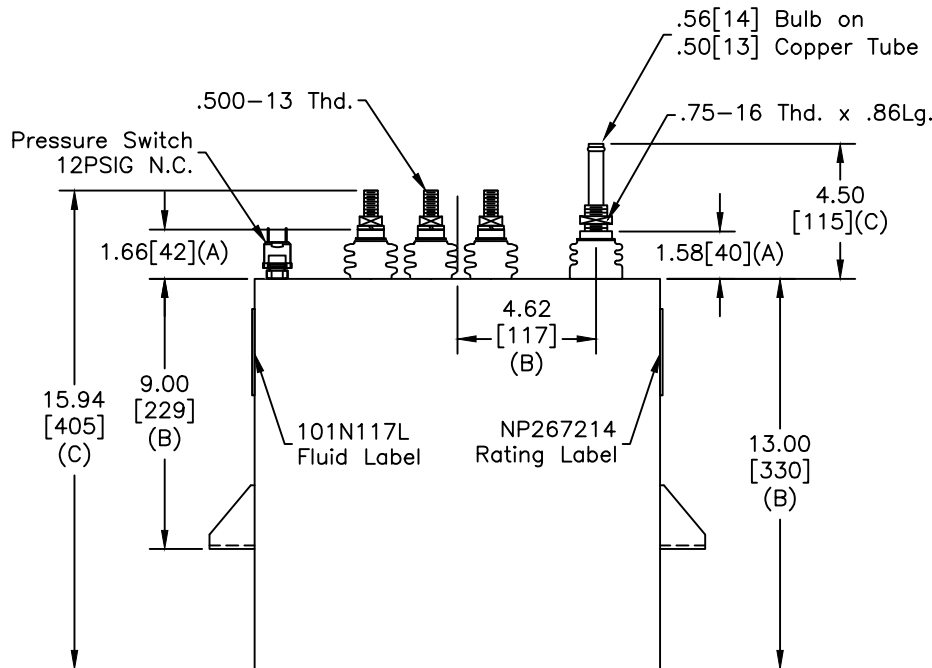


TOL	+/-
A	.06
B	.12
C	.18
D	.50
E	.04
BUSH. DIA.	1.75[44](B)

SIZE	DWG NO	SHT	REV
A	19L0553WH4	2	
REV	DESCRIPTION	DATE	APPROVED



TERM	uF	kVAR
1	0.972	351.8
2	0.972	351.8
3	0.972	351.8
4	0.972	351.8
5	0.972	351.8
6	0.972	351.8



SCHEMATIC DIAGRAM - 615

NO INTERNAL DISCHARGE RESISTORS  
CAT. 19L0553WH4 SN  
2111KVAR 1200V 10000HZ 1PH  
6X0.97 UF/TAP  
1.6 GAL. COMBUSTIBLE LIQUID  
CAUTION! BEFORE INSTALLING OR  
OPERATING READ GEH-2733  
MADE IN USA NP267214

\* UP TO +.50[13]  
CASE BULGE

MAX. TERMINAL  
TIGHTENING TORQUE  
15 FT-LBS.

NP267192A

	GE ENERGY FORT EDWARD, N.Y., U.S.A.		SIZE A	OUTLINE 19L0553WH4
	DRAWN JB Cozzens	DATE 8/20/2013	SCALE	
ISSUED	DATE	SHEET 2	CONT ON -	DISTR. TO