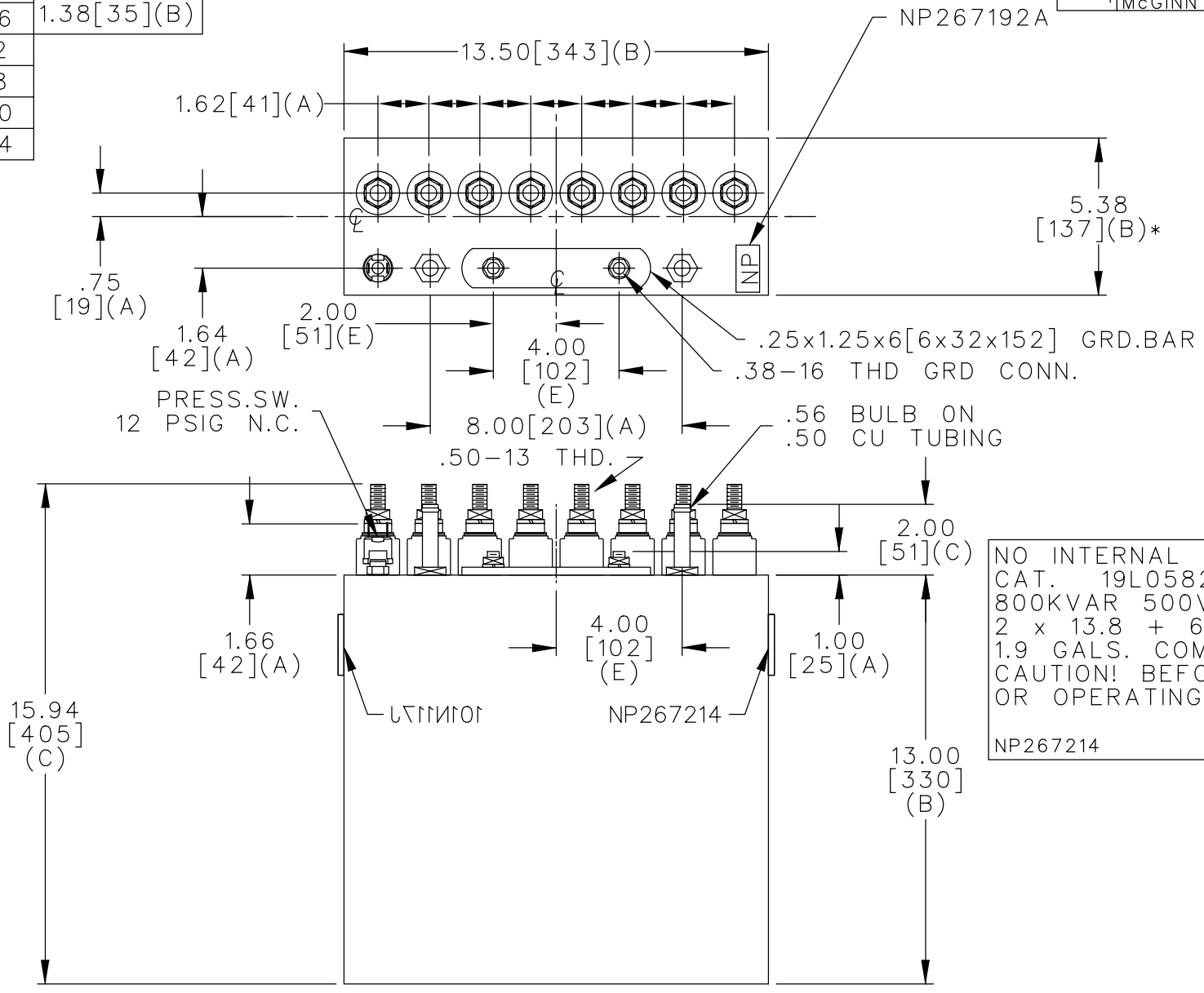
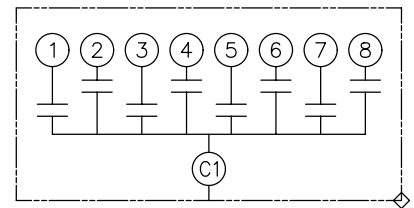


TOL	+/-	BUSH. DIA.
A	.06	1.38[35](B)
B	.12	
C	.18	
D	.50	
E	.04	



TERM	uF	kVAR
1	13.8	65
2	13.8	65
3	24	113
4	24	113
5	24	113
6	24	113
7	24	113
8	24	113



SCHEMATIC DIAGRAM - 811

NO INTERNAL DISCH RESISTORS
 CAT. 19L0582WH2 SN
 800KVAR 500V 3.0KHZ 1PH
 2 x 13.8 + 6 x 24 UF/TAP
 1.9 GALS. COMBUSTIBLE LIQUID
 CAUTION! BEFORE INSTALLING
 OR OPERATING READ GEH-2733
 NP267214

* UP TO +.50
 CASE BULGE

MAX. TERMINAL
 TIGHTENING TORQUE
 15 FT-LBS

NP267192A

	CAPACITOR & POWER PROTECTION FORT EDWARD, N.Y., U.S.A.		SIZE A	OUTLINE 19L0582WH2	
	DRAWN E.McGINN	JUNE 20, 1997	SCALE		
ISSUED	6-25-97		SHEET 2	CONT. ON -	DISTR TO