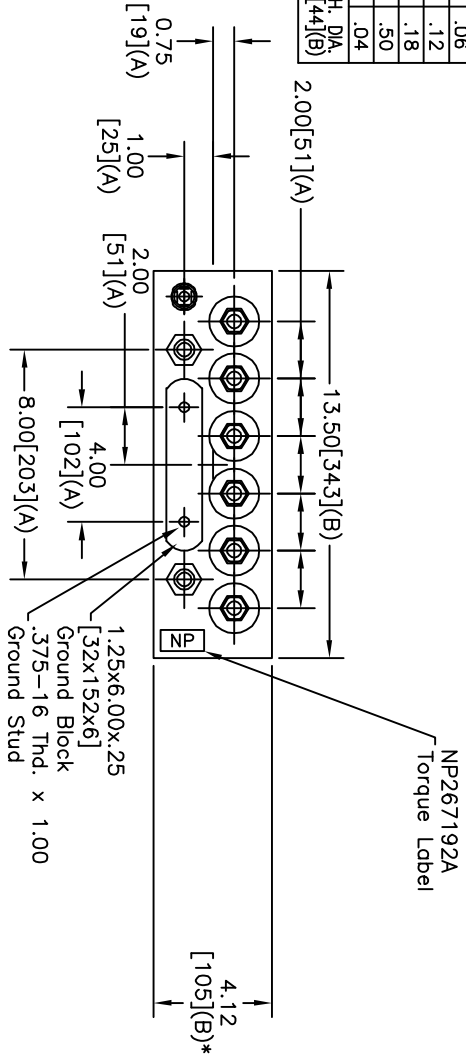
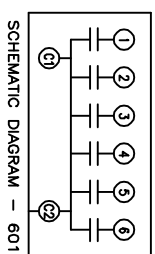
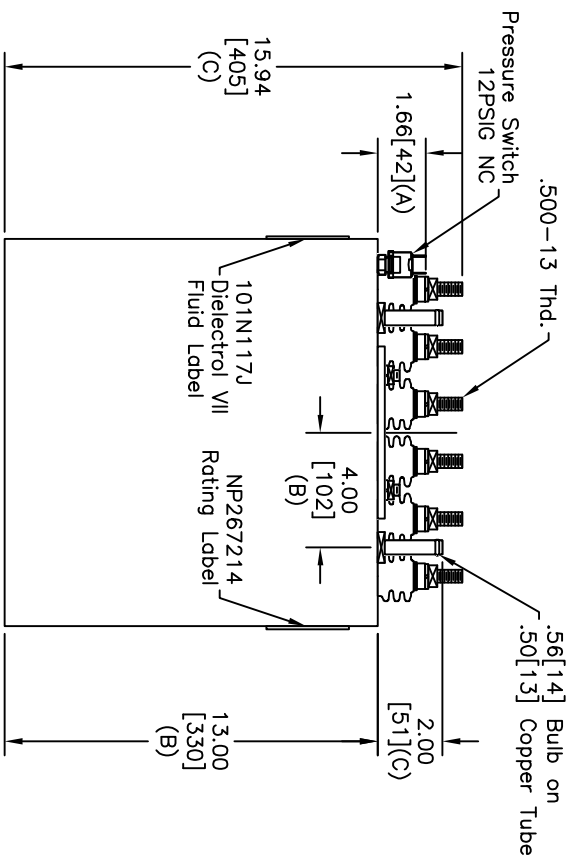


TOL	+/-
A	.06
B	.12
C	.18
D	.50
E	.04
BUSH, DIA. 1.75[44](B)	



TERM	UF	KVAR
1	12	56.5
2	12	56.5
3	30	141.4
4	30	141.4
5	30	141.4
6	30	141.4



NO INTERNAL DISCH RESISTORS  
 CAT. 19L0589WH2 SN  
 678.6KVAR 500V 3000HZ 1PH  
 2x12+4x30UF/TAP  
 1.4 GAL. COMBUSTIBLE LIQUID  
 CAUTION! BEFORE INSTALLING OR  
 OPERATING READ GEH-2733  
 MADE IN USA NP267214

\* UP TO +.50[1.3]  
 CASE BULGE

MAX. TERMINAL  
 TIGHTENING TORQUE  
 15 FT-LBS.  
 NP267192A

<b>GE ENERGY</b> FORT EDWARD, N.Y., U.S.A.		SIZE	A
		SCALE	WC9
DRAWN	E. MCGINN	DATE	6/11/1997
ISSUED		DATE	6/11/1997

REV	DESCRIPTION	DATE	APPROVED
2	UPDATE CATALOG	12/18/2006	BTR

**OUTLINE**  
 19L0589WH2

DISTR. TO