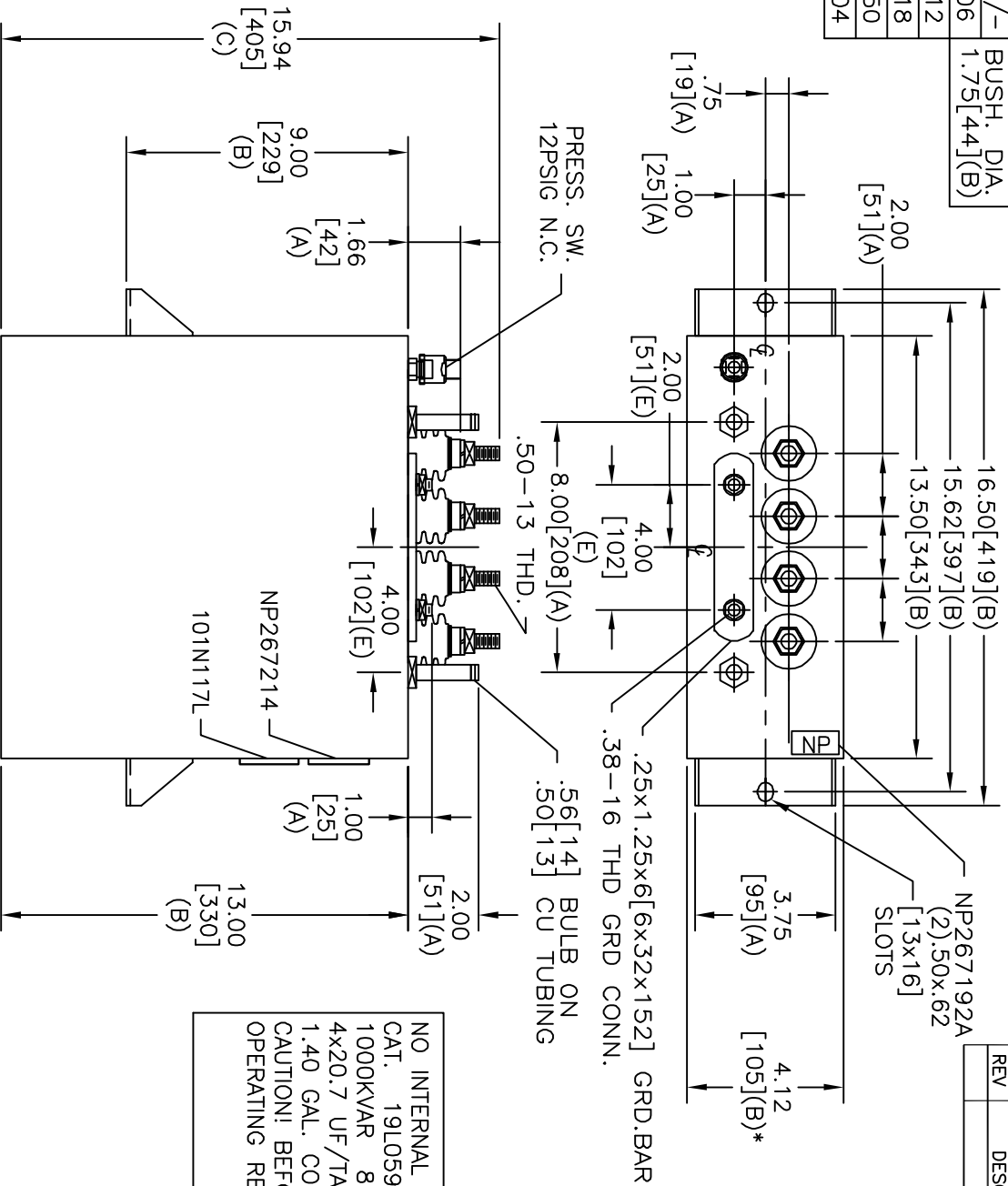
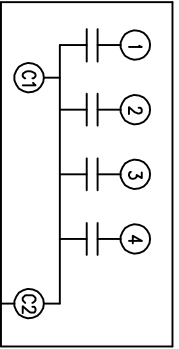


TOL	+/-	BUSH. DIA.
	.06	1.75[.44](B)
A	.12	
B	.18	
C	.50	
D	.50	
E	.04	



TERM	UF	KVAR
1	20.7	250
2	20.7	250
3	20.7	250
4	20.7	250

SIZE	DWG NO	SHT	REV
A	19L0591WH4	2	
REV	DESCRIPTION	DATE	APPROVED



NO INTERNAL DISCH RESISTORS
 CAT. 19L0591WH4 SN
 1000KVAR 800V 3000HZ 1PH
 4x20.7 UF/TAP
 1.40 GAL. COMBUSTIBLE LIQUID
 CAUTION! BEFORE INSTALLING OR
 OPERATING READ GEH-2733
 NP267214

* UP TO +.50 [13] CASE BULGE

MAX. TERMINAL TIGHTENING TORQUE 15 FT-LBS
 NP267192A

GE ENERGY
 FORT EDWARD, N.Y., U.S.A.

DRAWN B. ROSS
 DATE MAR 31, 2003

ISSUED DATE SCALE

SIZE A

OUTLINE
 19L0591WH4

SHEET 2 CONT -