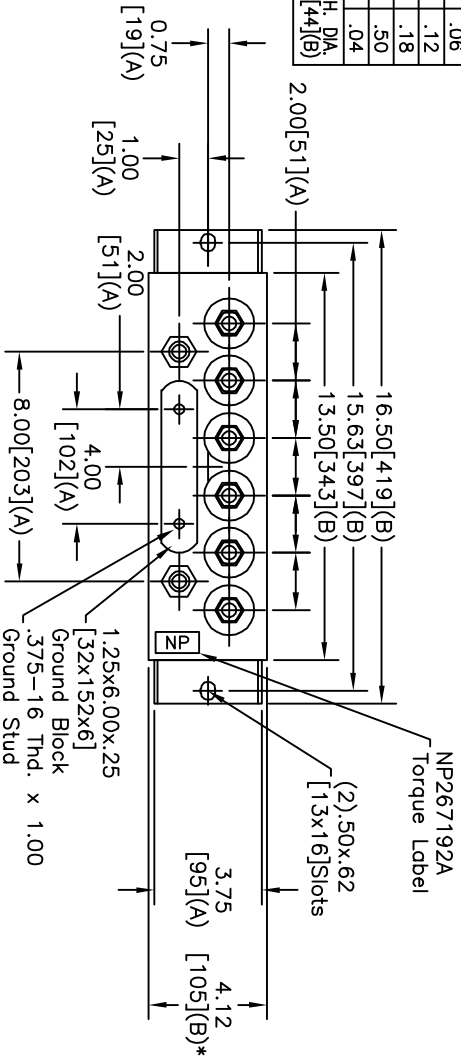
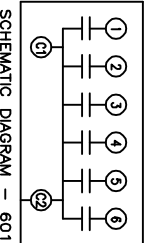
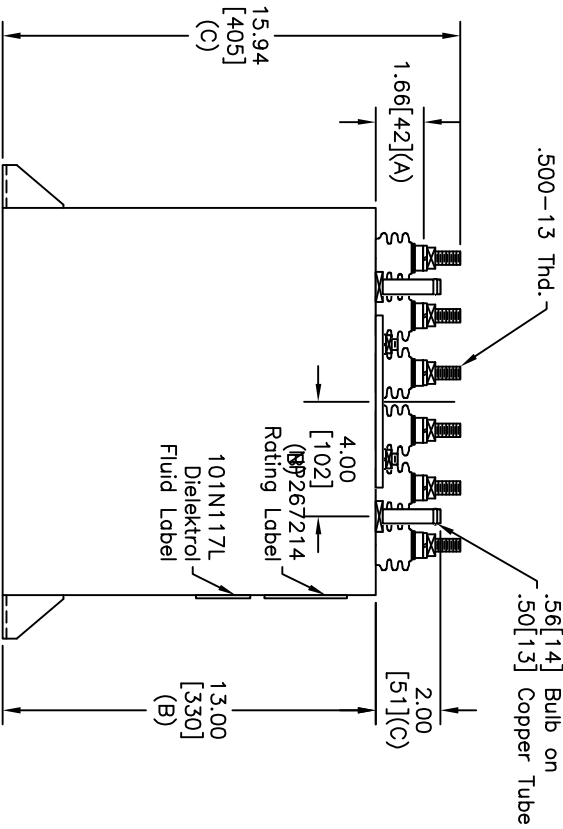


TOL	+/-
A	.06
B	.12
C	.18
D	.50
E	.04



TERM	UF	KVAR
1	3.3	10
2	3.3	10
3	13.3	40
4	29.8	90
5	49.7	150
6	49.7	150



**GE**  
**CAPACITOR**  
 NO INTERNAL DISCHARGE RESISTORS  
 CAT. 19L0607WH3 SN  
 450KVAR 400V 3000HZ 1PH  
 2x3.3+13.3+29.8+2x49.7UF/TAP  
 1.42 GAL. COMBUSTIBLE LIQUID  
 CAUTION! BEFORE INSTALLING OR  
 OPERATING READ GEH-2733

MADE IN USA  
 NP267214

SIZE	DWG NO	SHT	REV
A	19L0607WH3	2	1
REV	DESCRIPTION	DATE	APPROVED
1	Re-Trace	11/8/2007	BTR

\* UP TO +.50 [13]  
 CASE BULGE  
 MAX. TERMINAL  
 TIGHTENING TORQUE  
 15 FT-LBS.  
 NP267192A

		GE ENERGY FORT EDWARD, N.Y., U.S.A.	
DRAWN	Cozzens	DATE	2/28/1997
ISSUED		DATE	

SIZE	A
SCALE	W/C9
Est Weight	44 lbs.

<b>OUTLINE</b>	
19L0607WH3	
SHEET	2
CONT	ON

DISTR. TO