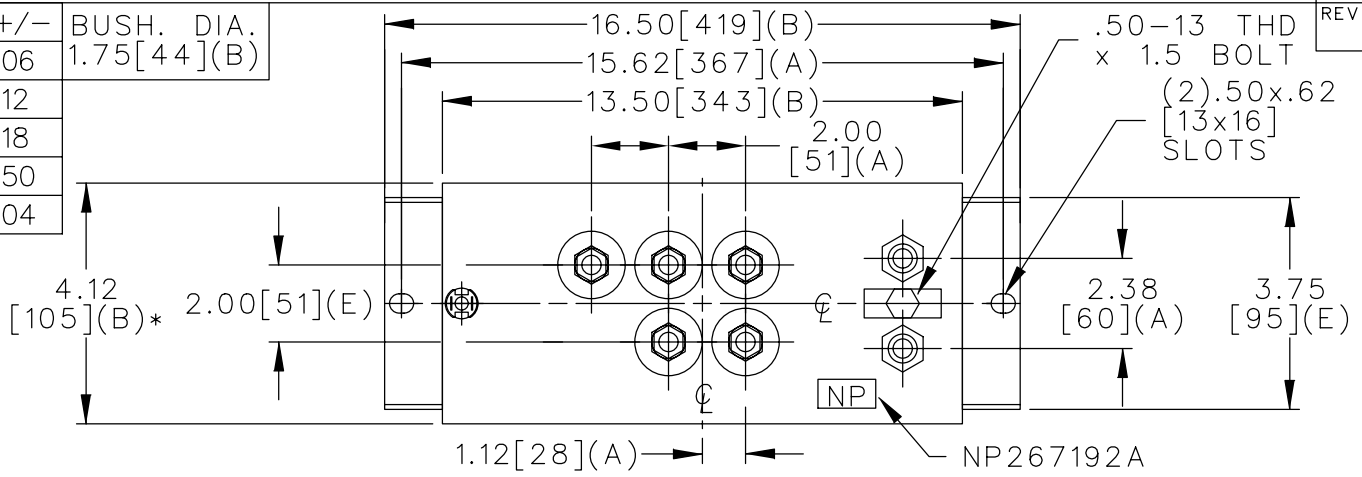
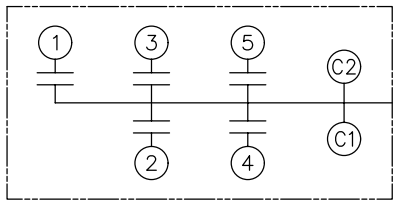


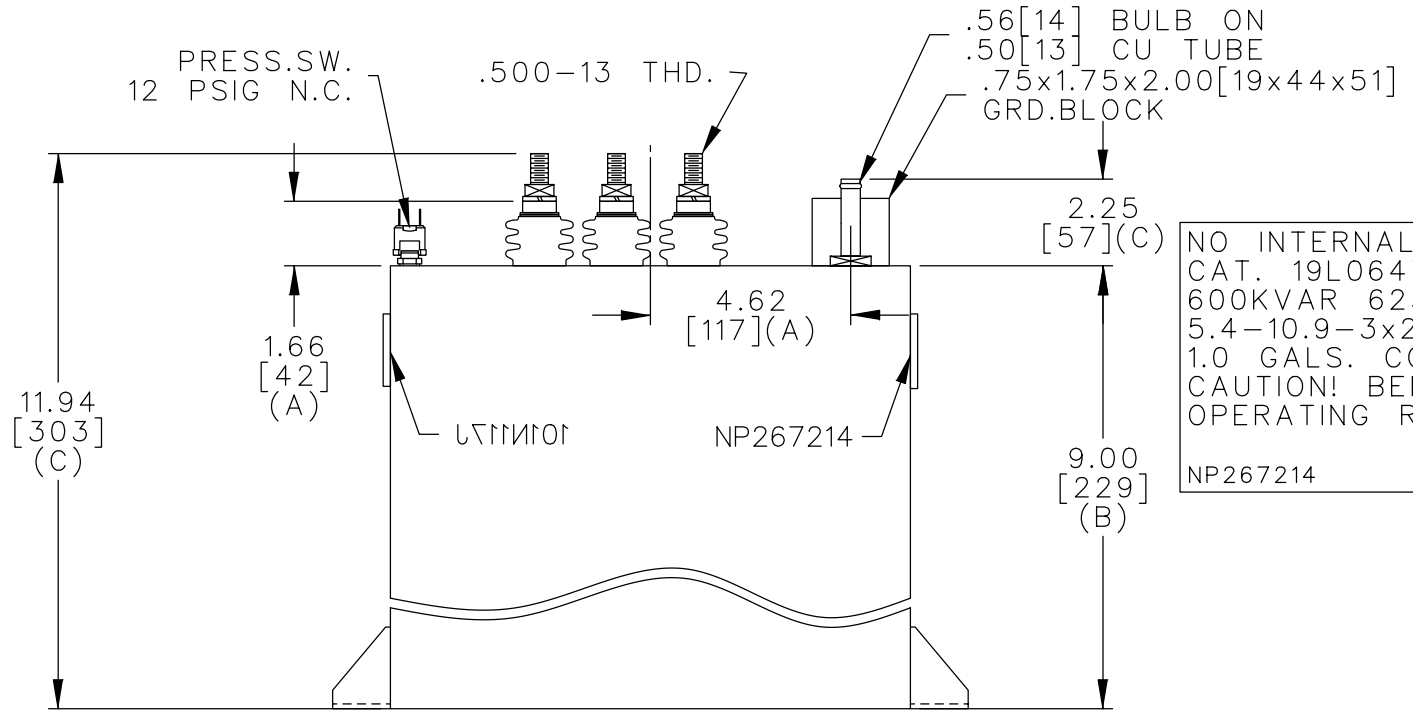
TOL	+/-	BUSH. DIA.
A	.06	1.75[44](B)
B	.12	
C	.18	
D	.50	
E	.04	



TERM	uF	kVAR
1	5.43	40
2	10.86	80
3	21.73	160
4	21.73	160
5	21.73	160



SCHEMATIC DIAGRAM - 516



NO INTERNAL DISCH RESISTORS  
 CAT. 19L0647WH4 SN  
 600KVAR 625V 3000HZ 1PH  
 5.4-10.9-3x21.7 UF/TAP  
 1.0 GALS. COMBUSTIBLE LIQUID  
 CAUTION! BEFORE INSTALLING OR  
 OPERATING READ GEH-2733  
 NP267214

\* UP TO +.50[13] CASE BULGE

MAX. TERMINAL TIGHTENING TORQUE 15 FT-LBS

NP267192A

	CAPACITOR & POWER PROTECTION FORT EDWARD, N.Y., U.S.A.		SIZE <b>A</b>	OUTLINE 19L0647WH4		SHEET 2 CONT. ON -
	DRAWN E.McGINN	APR. 20, 2000	SCALE			
ISSUED						DISTR TO