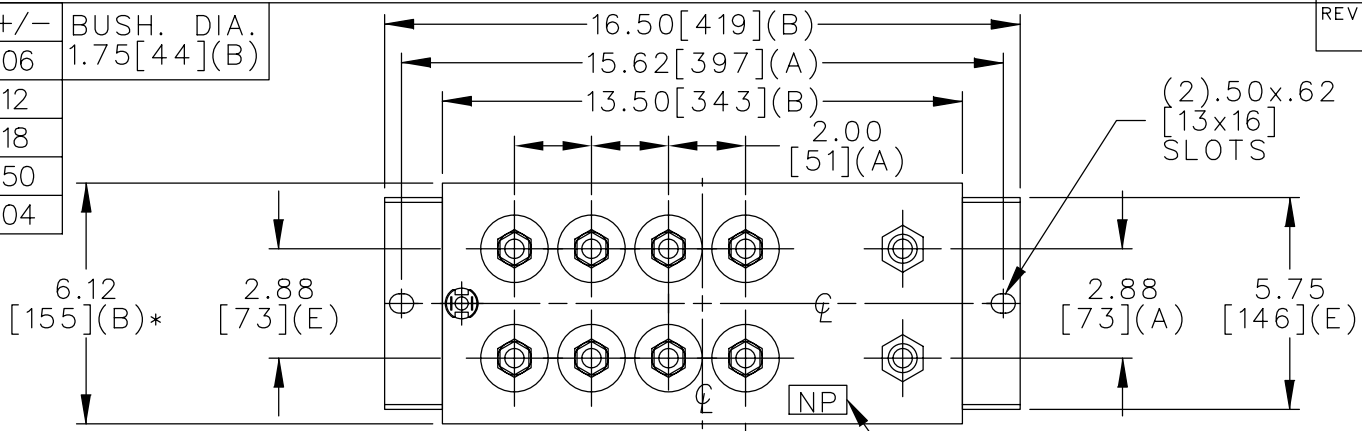
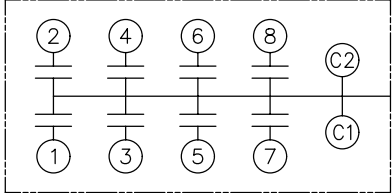


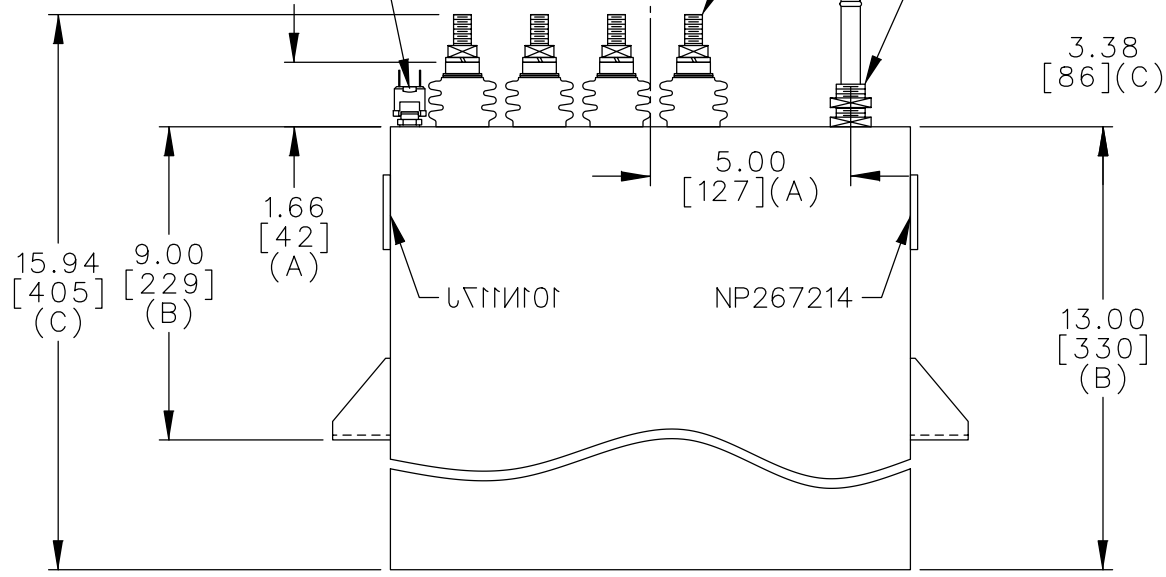
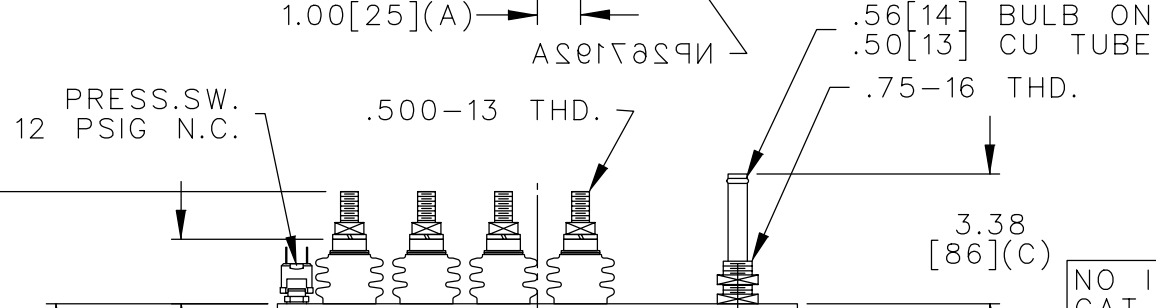
TOL	+/-	BUSH. DIA.
A	.06	1.75[44](B)
B	.12	
C	.18	
D	.50	
E	.04	



TERM	uF	kVAR
1	3.27	96
2	6.53	192
3	13.08	385
4	13.08	385
5	13.08	385
6	13.08	385
7	13.08	385
8	13.08	385



SCHEMATIC DIAGRAM - 801



NO INTERNAL DISCH RESISTORS
 CAT. 19L0678WH4 SN
 2600KVAR 1250V 3000HZ 1PH
 3.27+6.53+6x13.08 UF/TAP
 2.1 GAL. COMBUSTIBLE LIQUID
 CAUTION! BEFORE INSTALLING OR
 OPERATING READ GEH-2733
 NP267214

* UP TO +.50[13]
CASE BULGE

MAX. TERMINAL
TIGHTENING TORQUE
15 FT-LBS

NP267192A

	CAPACITOR & POWER PROTECTION FORT EDWARD, N.Y., U.S.A.		SIZE A	OUTLINE 19L0678WH4	SHEET 2 CONT. ON -
	DRAWN E.McGINN	JULY 9, 1997	SCALE		
ISSUED	7-16-97	DISTR TO			