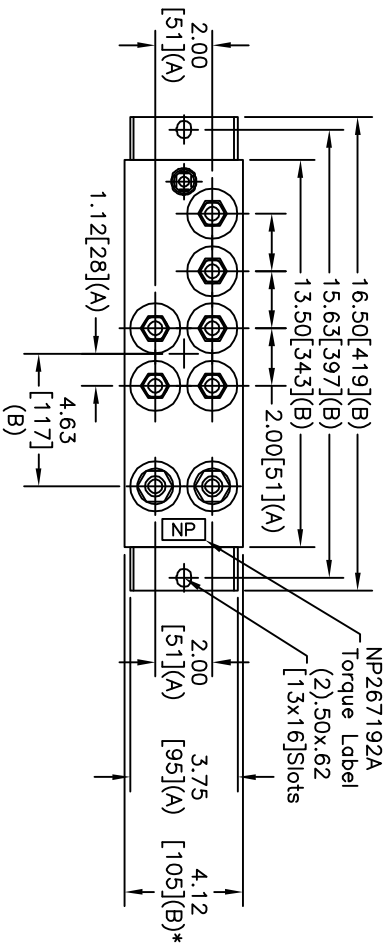
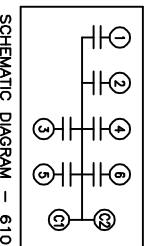
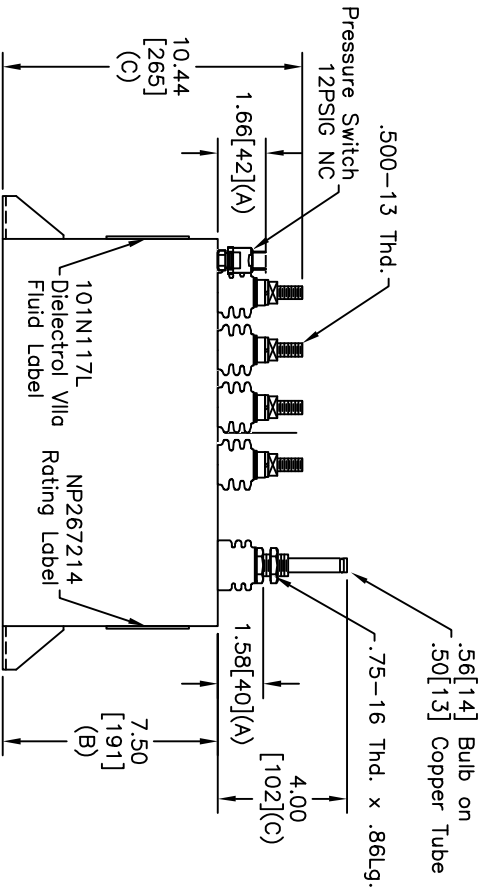


TOL	+/-
A	.06
B	.12
C	.18
D	.50
E	.04
BUSH, DIA	1.75[44](B)



TERM	UF	KVAR
1	2.2	35
2	4.4	70
3	8.7	140
4	8.7	140
5	13.1	210
6	13.1	210



SCHEMATIC DIAGRAM - 610

NO INTERNAL DISCH RESISTORS
 CAT. 19L0693WH4 SN
 805KVAR 800V 4000HZ 1PH
 2.2+4.4+2x8.7+2x13.1UF/TAP
 1 GAL. COMBUSTIBLE LIQUID
 CAUTION! BEFORE INSTALLING OR
 OPERATING READ GEH-2733
 NP267214
 MADE IN USA

SIZE	DWG NO	SHT	REV
A	19L0693WH4	2	1
REV	DESCRIPTION	DATE	APPROVED
1	ReTRACE	2/13/2007	BTR

* UP TO +.50[13]
 CASE BULGE

MAX. TERMINAL
 TIGHTENING TORQUE
 15 FT-LBS.
 NP267192A

GE ENERGY FORT EDWARD, N.Y., U.S.A.		SIZE	A	
		SCALE	WC15	
DRAWN	MCGINN	DATE	5/23/1997	Est Weight 25 lbs.
ISSUED		DATE	5/28/1997	
OUTLINE 19L0693WH4			SHEET	2
			CONT	3

DISTR. TO