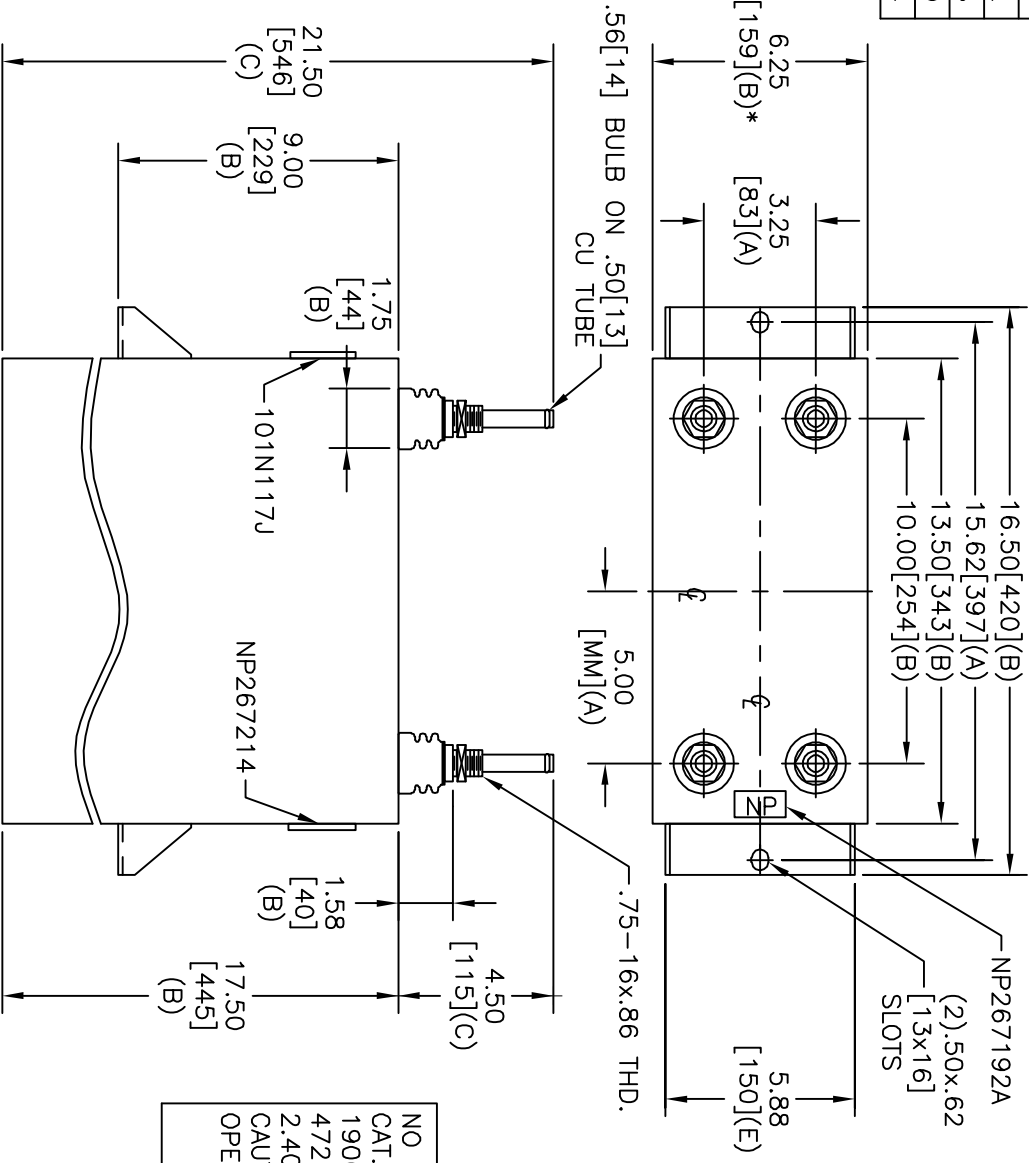
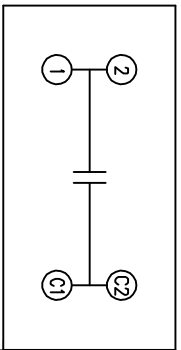


TOL	+/-
A	.06
B	.12
C	.18
D	.50
E	.04



SIZE	DWG NO	SHT	REV
A	19L0698WH4	2	
REV	DESCRIPTION	DATE	APPROVED



NO INTERNAL DISCH RESISTORS
 CAT. 19L0698WH4 SN
 1900KVAR 800V 1000HZ 1PH
 472.5 UF
 2.40 GAL. COMBUSTIBLE LIQUID
 CAUTION! BEFORE INSTALLING OR
 OPERATING READ GEH-2733

NP267214

* UP TO +.50 [13]
 CASE BULGE

MAX. TERMINAL
 TIGHTENING TORQUE
 15 FT-LBS

NP267192A

INDUSTRIAL SYSTEMS FORT EDWARD, N.Y., U.S.A.		DATE	DATE
		ISSUED	DATE
DRAWN	B. ROSS	DATE	JUL 19, 2004

SIZE	A
SCALE	

OUTLINE 19L0698WH4		SHEET	2	CONT	3
		DISTR. TO			