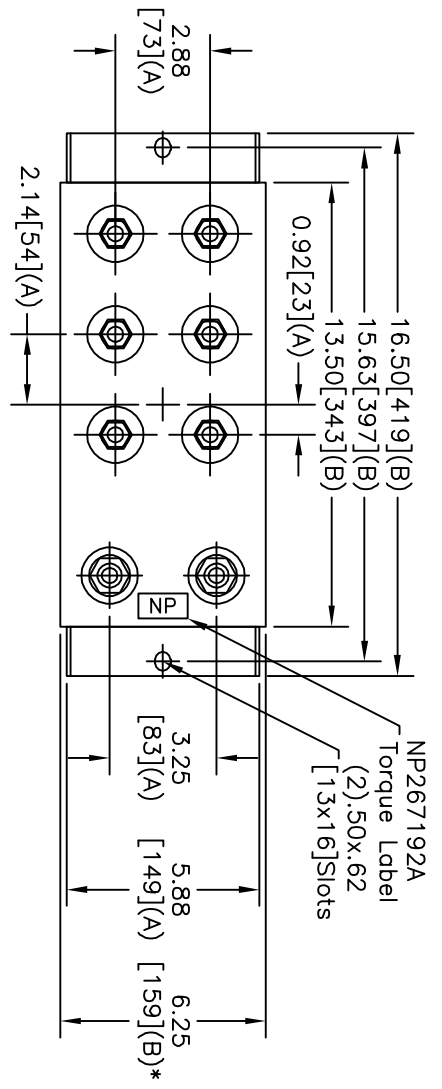
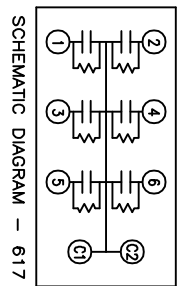
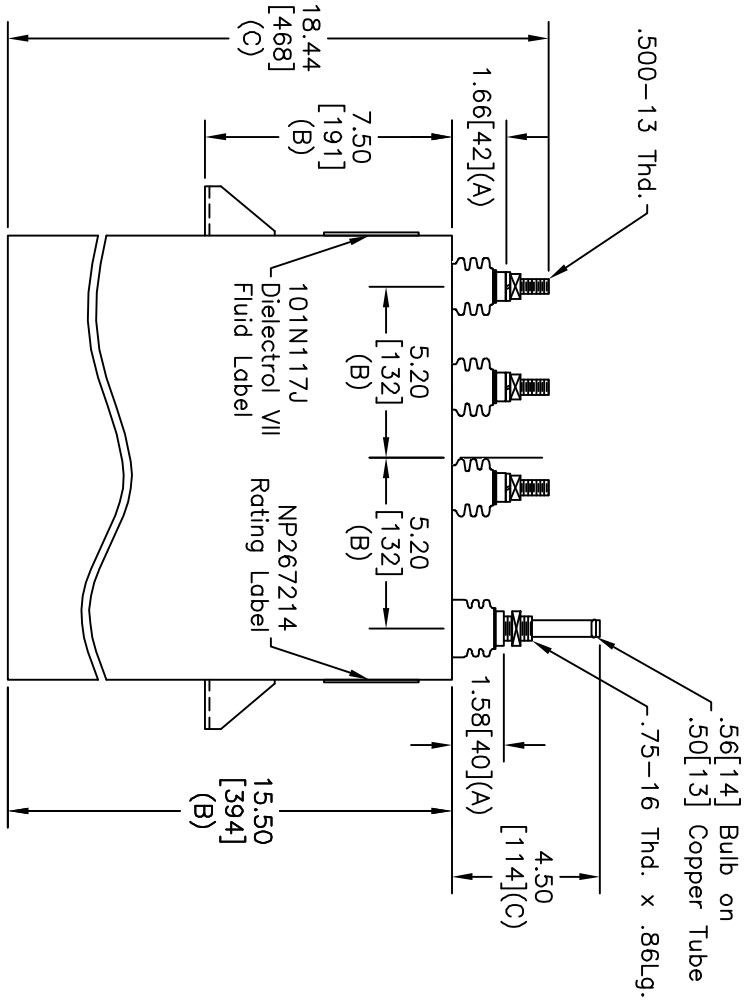


TOL	+/-
A	.06
B	.12
C	.18
D	.50
E	.04
BUSH, DIA.	1.75[.44](B)



TERM	UF	KVAR
1	68.2	70
2	68.2	70
3	68.2	70
4	68.2	70
5	68.2	70
6	68.2	70



WITH INTERNAL DISCH RESISTORS
 CAT. 19L0701WH3 SN
 420KVAR 550V 540HZ 1PH
 6x68.2UF/TAP
 1.93 GAL. COMBUSTIBLE LIQUID
 CAUTION! BEFORE INSTALLING OR
 OPERATING READ GEH-2733
 MADE IN USA
 NP267214

SIZE	DWG NO	SHT	REV
A	19L0701WH3	2	1
REV	DESCRIPTION	DATE	APPROVED
1	Redraw	3/2/2006	BTR

* UP TO +.50[13]
 CASE BULGE
 MAX. TERMINAL
 TIGHTENING TORQUE
 15 FT-LBS.
 NP267192A

GE ENERGY
FORT EDWARD, N.Y., U.S.A.

DRAWN EPC
 DATE 2/28/1997

ISSUED
 DATE 3/5/1997

SIZE
A

SCALE
 WC6

OUTLINE
19L0701WH3

SHEET 2 CONT ON -