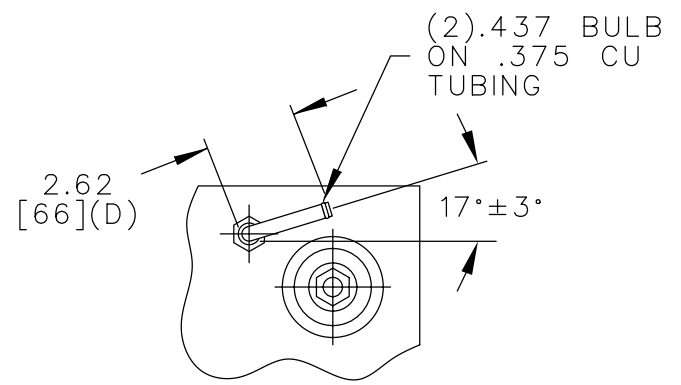
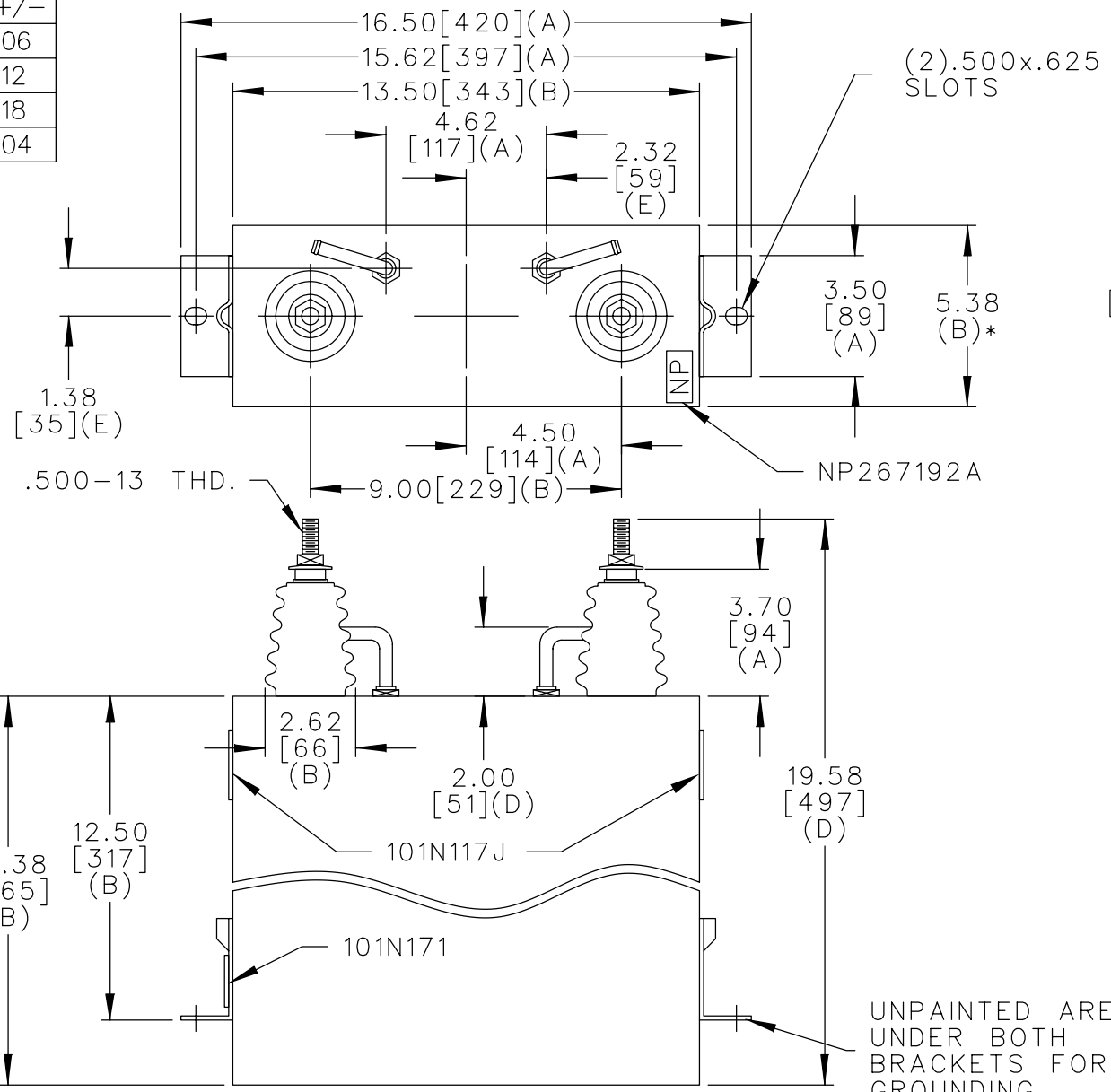
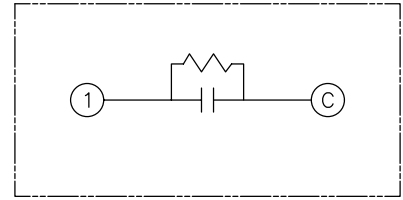


SIZE A	DWG NO. 19L0705WH3	SH 2	REV
REV			

TOL	+/-
A	.06
B	.12
C	.18
D	.04



VIEW - A



SCHEMATIC DIAGRAM - 102

2520V 1PH
 120KVAR 60HZ KVBIL
 CAT. 19L0705WH3 NO.
 1.70 GAL. MFG DATE
 GEH-2733
 101N171

* UP TO +.50 [13] CASE BULGE

MAX. TERMINAL TIGHTENING TORQUE 15 FT-LBS

NP267192A

 CAPACITOR & POWER PROTECTION FORT EDWARD, N.Y., U.S.A.	SIZE A	FSCM NO.	OUTLINE 19L0705WH3	DISTR TO
	DRAWN E.McGINN NOV. 5, 1997 ISSUED	SCALE		