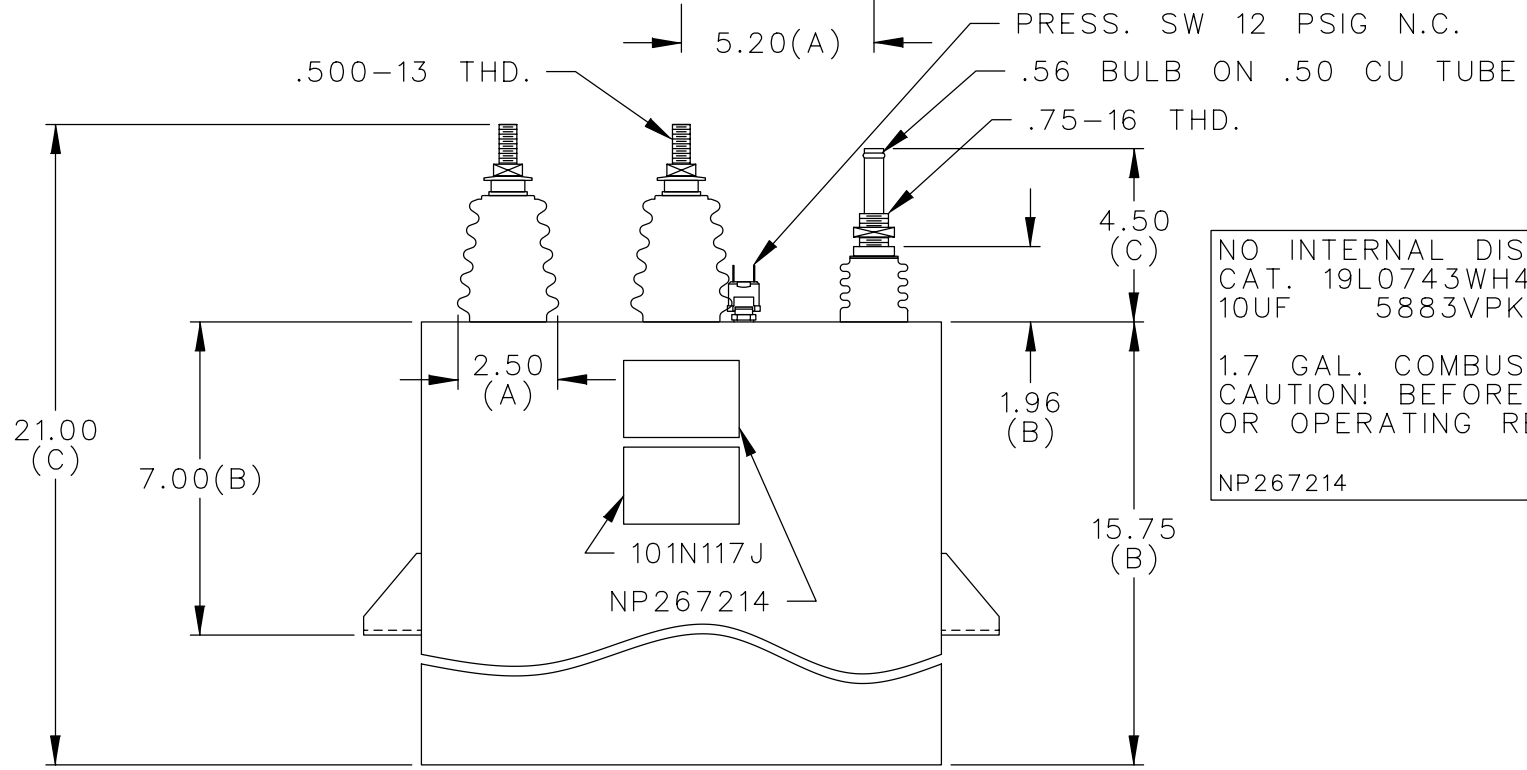
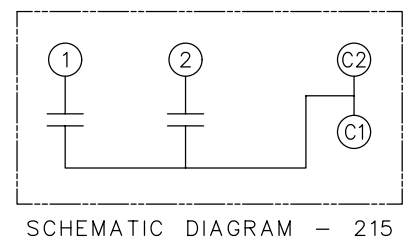
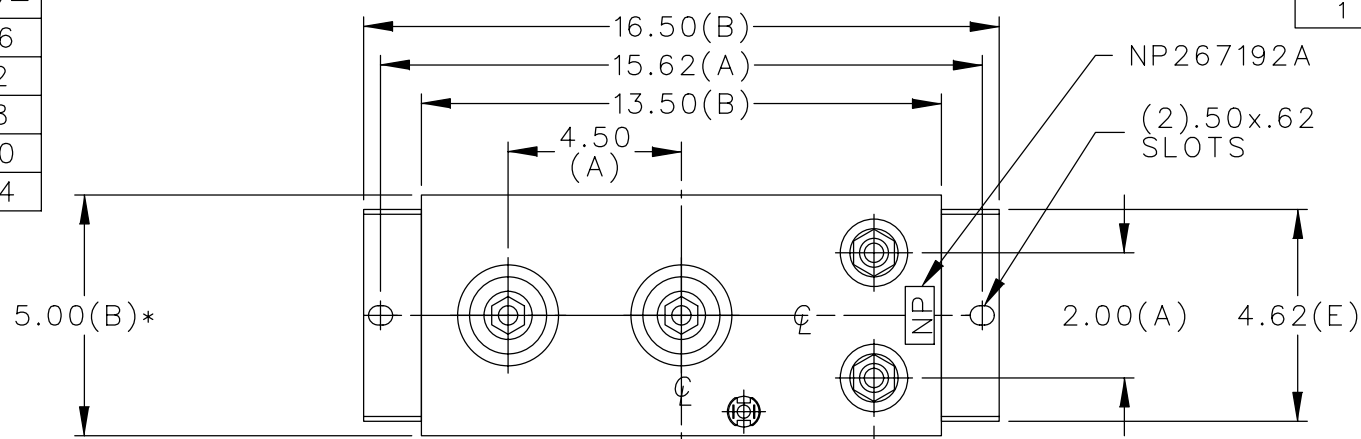


TOL	+/-
A	.06
B	.12
C	.18
D	.50
E	.04

SIZE A	DWG NO. 19L0743WH4	SH	REV
REV 1	McGINN UPDATE CAT NO	DATE	



NO INTERNAL DISCH RESISTORS
 CAT. 19L0743WH4 SN
 10UF 5883VPK
 1.7 GAL. COMBUSTIBLE LIQUID
 CAUTION! BEFORE INSTALLING
 OR OPERATING READ GEH-2733
 NP267214

* UP TO +.50
 CASE BULGE

MAX. TERMINAL
 TIGHTENING TORQUE
 15 FT-LBS

NP267192A

	CAPACITOR & POWER PROTECTION FORT EDWARD, N.Y., U.S.A.		SIZE A	<h1>OUTLINE</h1> <h2>19L0743WH4</h2>		DISTR TO
	DRAWN E.McGINN	JAN. 7, 1997	SCALE			
ISSUED	1-15-97		SHEET 2	CONT. 3	ON	3