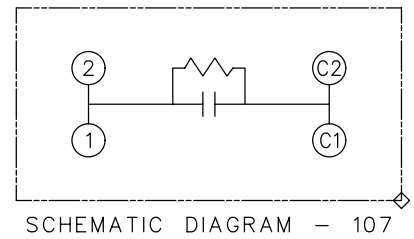
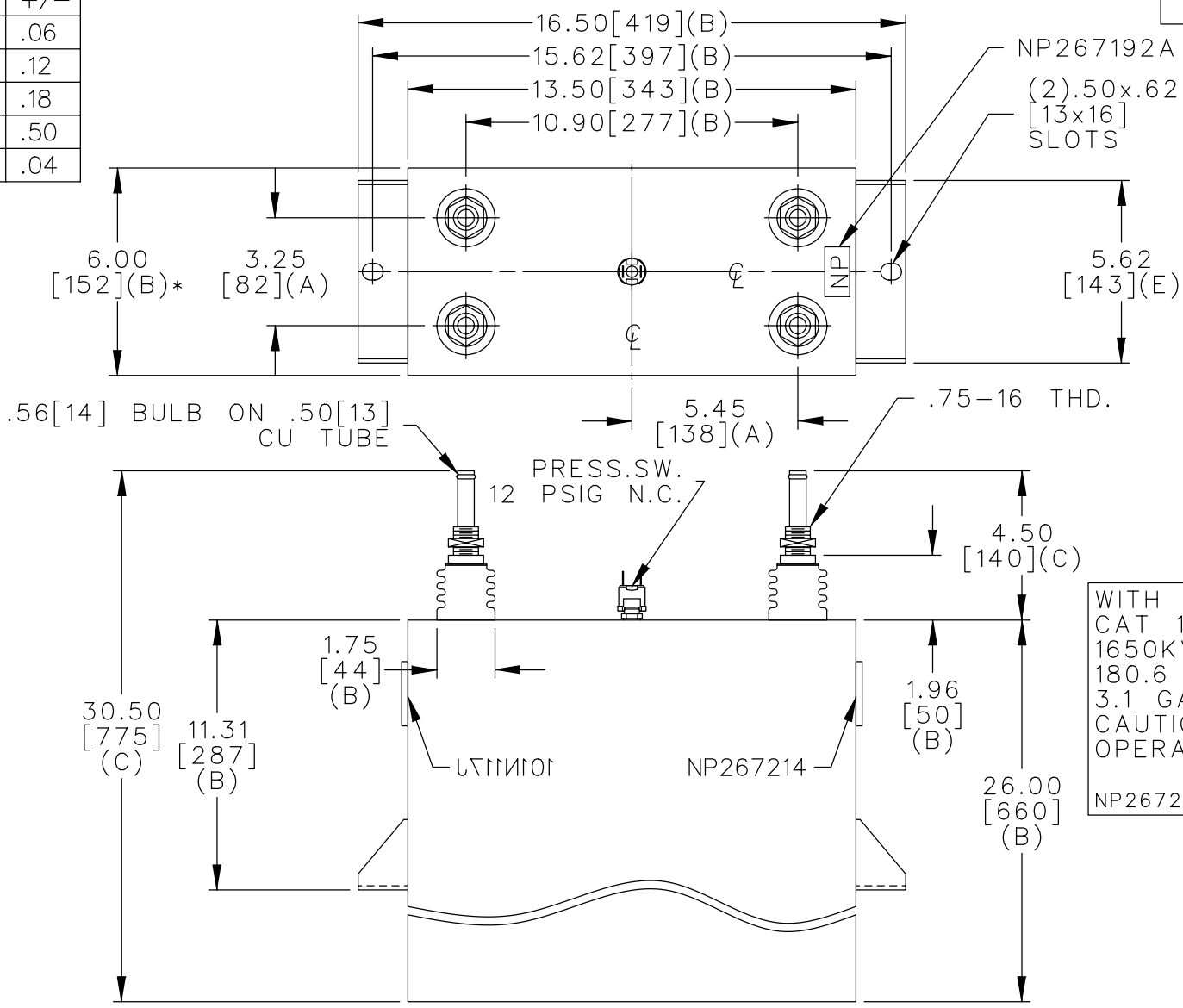


TOL	+/-
A	.06
B	.12
C	.18
D	.50
E	.04



WITH INTERNAL DISCH RESISTORS  
 CAT 19L0762WH4 SN  
 1650KVAR 2200V 300HZ 1PH  
 180.6 UF/TAP  
 3.1 GAL COMBUSTIBLE LIQUID  
 CAUTION! BEFORE INSTALLING OR  
 OPERATING READ GEH-2733  
 NP267214

\* UP TO +.50 [13]  
 CASE BULGE

MAX. TERMINAL  
 TIGHTENING TORQUE  
 15 FT-LBS

NP267192A

	CAPACITOR & POWER PROTECTION FORT EDWARD, N.Y., U.S.A.		SIZE <b>A</b>	OUTLINE 19L0762WH4		DISTR TO
	DRAWN E.McGINN	JUNE 13, 2000	SCALE			
ISSUED			SHEET 2 CONT. ON -			