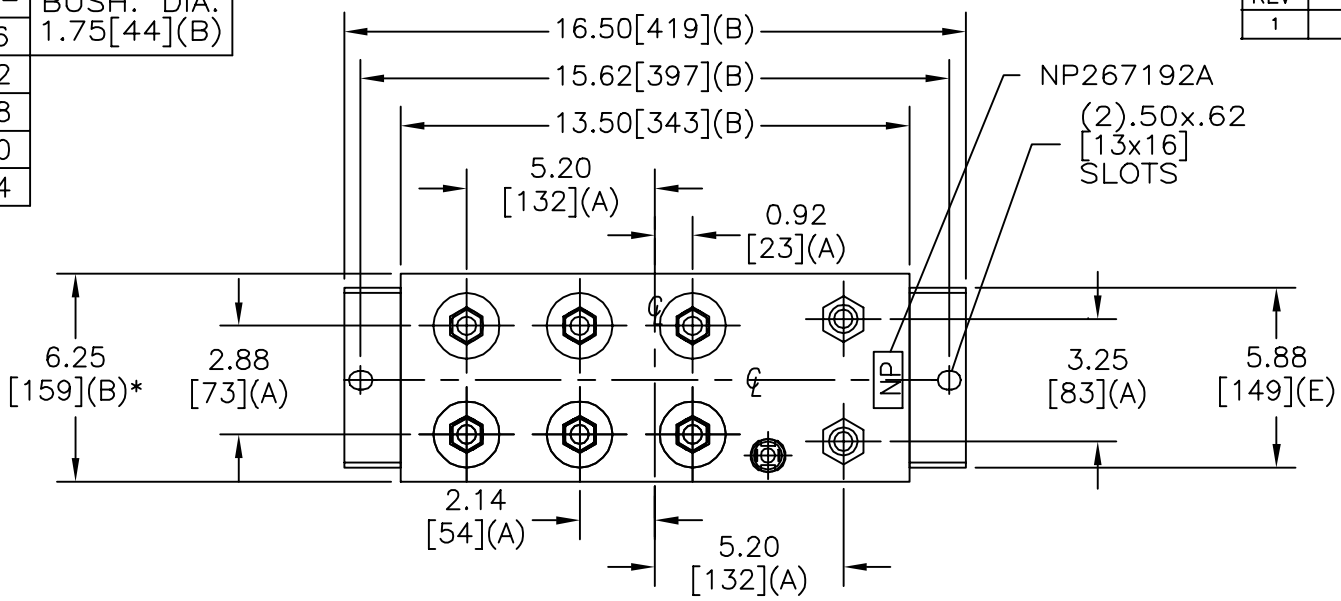
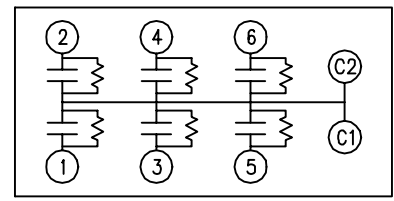


SIZE A	DWG NO 19L0764WH4	SHT 2	REV 1
REV 1	DESCRIPTION CASE HT WAS 25.50	DATE 01/07/03	APPROVED BTR

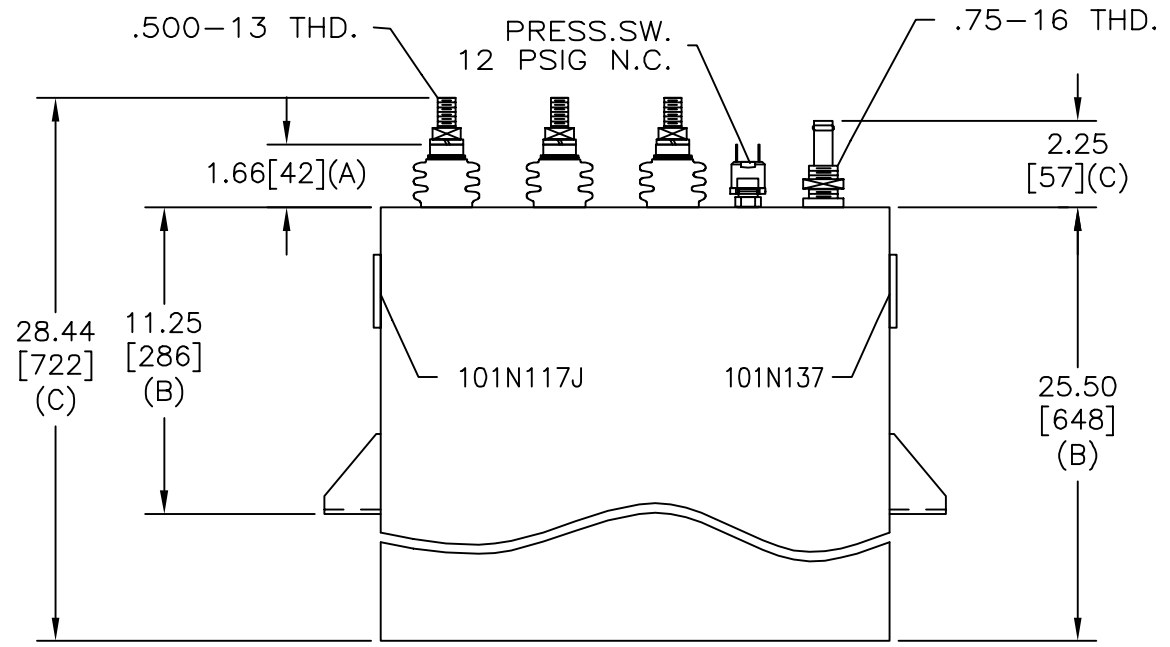
TOL	+/-	BUSH. DIA.
A	.06	1.75[44](B)
B	.12	
C	.18	
D	.50	
E	.04	



TERM	uF	kVAR
1	58.95	416.7
2	58.95	416.7
3	58.95	416.7
4	58.95	416.7
5	58.95	416.7
6	58.95	416.7



SCHEMATIC DIAGRAM - 617



WITH INTERNAL DISCH RESISTORS
 CAT. 19L0764WH4 SN
 2500KVAR 1500V 500HZ 1PH
 6x58.95 UF/TAP
 2.95 GAL. COMBUSTIBLE LIQUID
 CAUTION! BEFORE INSTALLING OR
 OPERATING READ GEH-2733

NP267214

* UP TO +.50 [13] CASE BULGE

MAX. TERMINAL TIGHTENING TORQUE 15 FT-LBS

NP267192A

INDUSTRIAL SYSTEMS FORT EDWARD, N.Y., U.S.A.		SIZE A
DRAWN B.ROSS	DATE NOV 19, 2002	SCALE
ISSUED	DATE 11/20/02	

<h1>OUTLINE</h1> <h2>19L0764WH4</h2>	
SHEET 2	CONT ON -

DISTR. TO