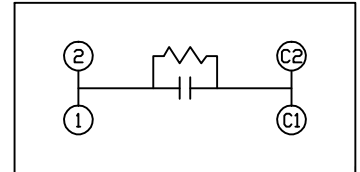
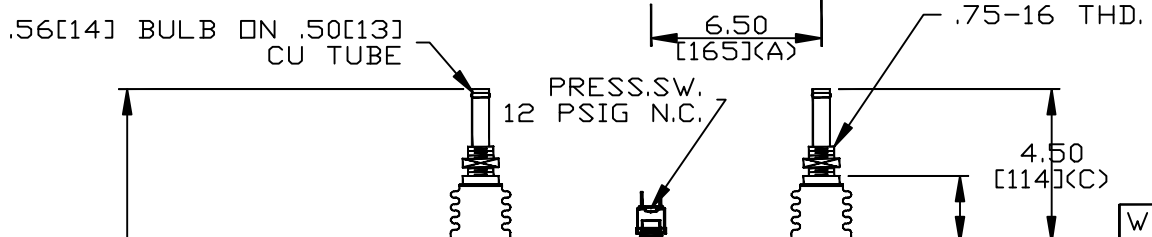
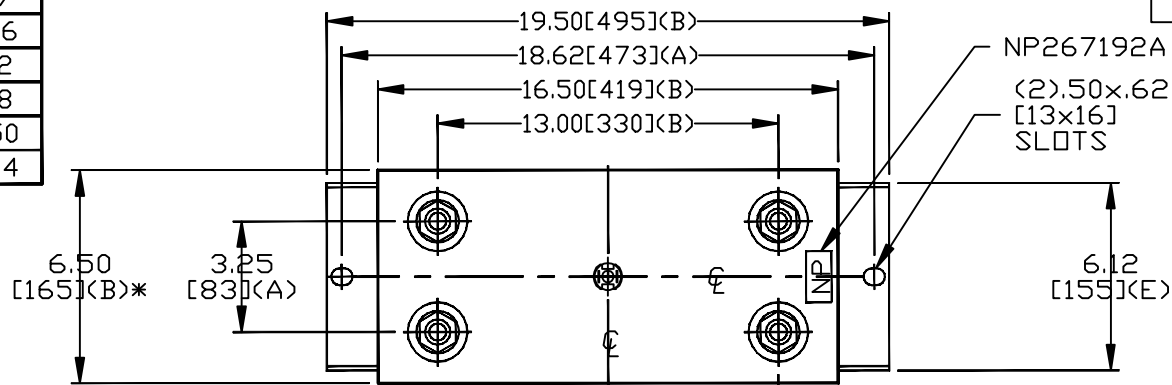


SIZE	DWG NO.	SH	REV
A	19L0779WH4		
REV	1	MCGINN UPDATE CAT NO	DATE

TOL	+/-
A	.06
B	.12
C	.18
D	.50
E	.04



SCHEMATIC DIAGRAM - 107

WITH INTERNAL DISCH RESISTORS
 CAT. 19L0779WH4 SN
 5450KVAR 3000V 700HZ 1PH
 137.68UF/TAP
 4.0 GALS COMBUSTIBLE LIQUID
 CAUTION! BEFORE INSTALLING
 OR OPERATING READ GEH-2733
 NP267214

* UP TO +.50 [13] CASE BULGE

MAX. TERMINAL TIGHTENING TORQUE 15 FT-LBS
 NP267192A

	CAPACITOR & POWER PROTECTION FORT EDWARD, N.Y., U.S.A.	
	DRAWN E.McGINN	DEC. 18, 1996
ISSUED	1-8-97	SCALE

SIZE A
SCALE

OUTLINE 19L0779WH4
SHEET 2 CONT. ON 3

DISTR TO