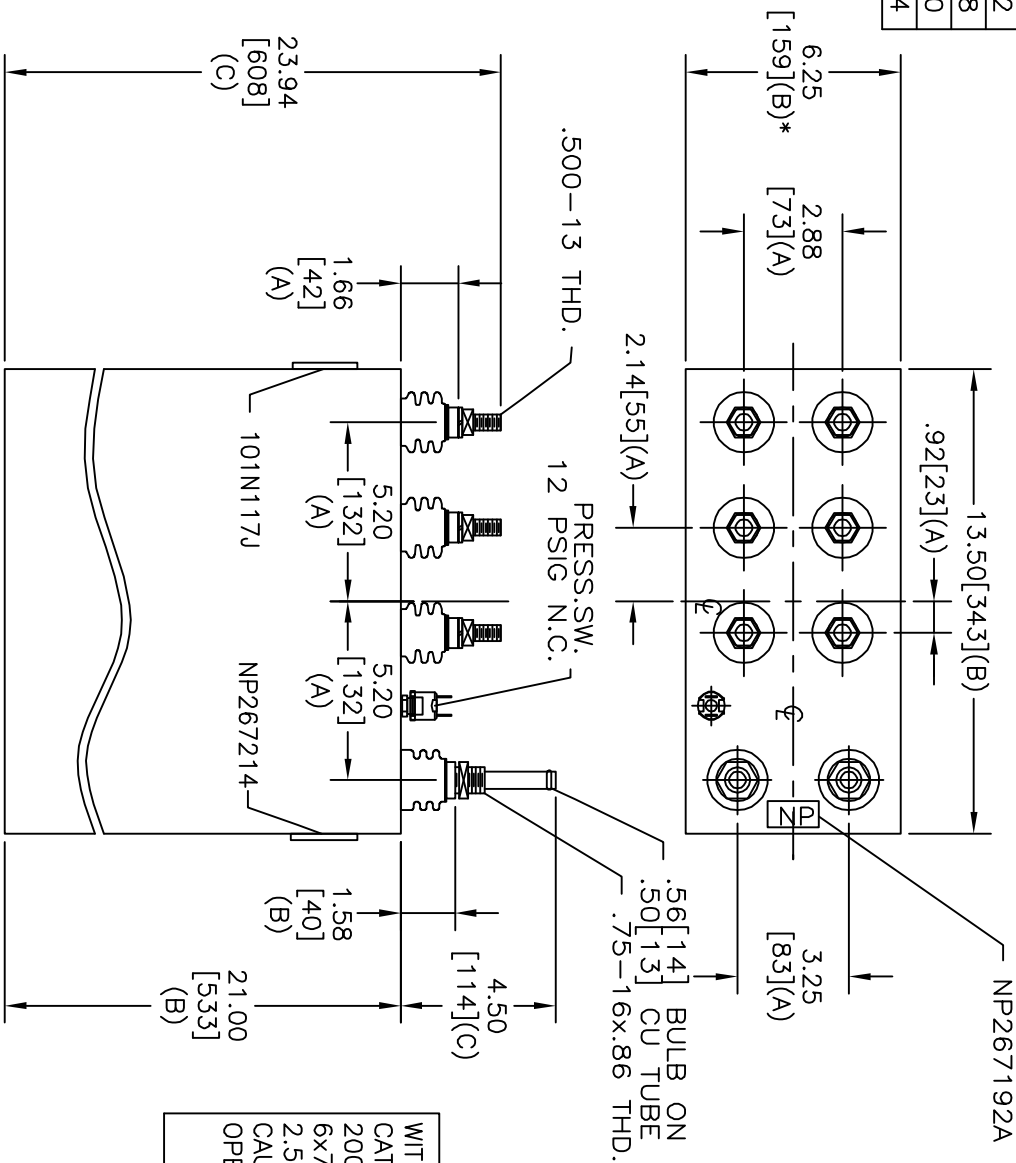
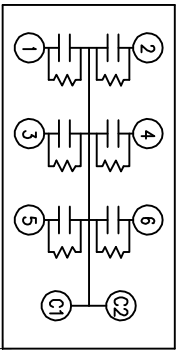


TOL	+/-	BUSH. DIA.
A	.06	1.75[44](B)
B	.12	
C	.18	
D	.50	
E	.04	



SIZE	DWG NO	SHT	REV
A	19L0789WH2	2	1
REV	DESCRIPTION	DATE	APPROVED
1	UPDATE CAT NO	8/3/04	BTR

TERM	UF	KVAR
1	73.68	333.3
2	73.68	333.3
3	73.68	333.3
4	73.68	333.3
5	73.68	333.3
6	73.68	333.3



SCHEMATIC DIAGRAM - 617

WITH INTERNAL DISCH RESISTORS  
 CAT. 19L0789WH2 SN  
 2000KVAR 1200V 500HZ 1PH  
 6x73.68 UF/TAP  
 2.52 GAL. COMBUSTIBLE LIQUID  
 CAUTION! BEFORE INSTALLING OR  
 OPERATING READ GEH-2733

NP267214

\* UP TO +.50[13]  
 CASE BULGE

MAX. TERMINAL  
 TIGHTENING TORQUE  
 15 FT-LBS

NP267192A

**INDUSTRIAL SYSTEMS**  
**FORT EDWARD, N.Y., U.S.A.**

DRAWN EPC DATE APR 29, 1997  
 ISSUED DATE 4/30/97

SIZE A  
 SCALE

**OUTLINE**

19L0789WH2

SHEET 2 CONT 3

DISTR. TO