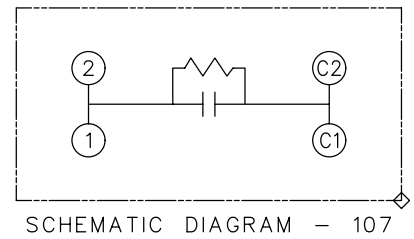
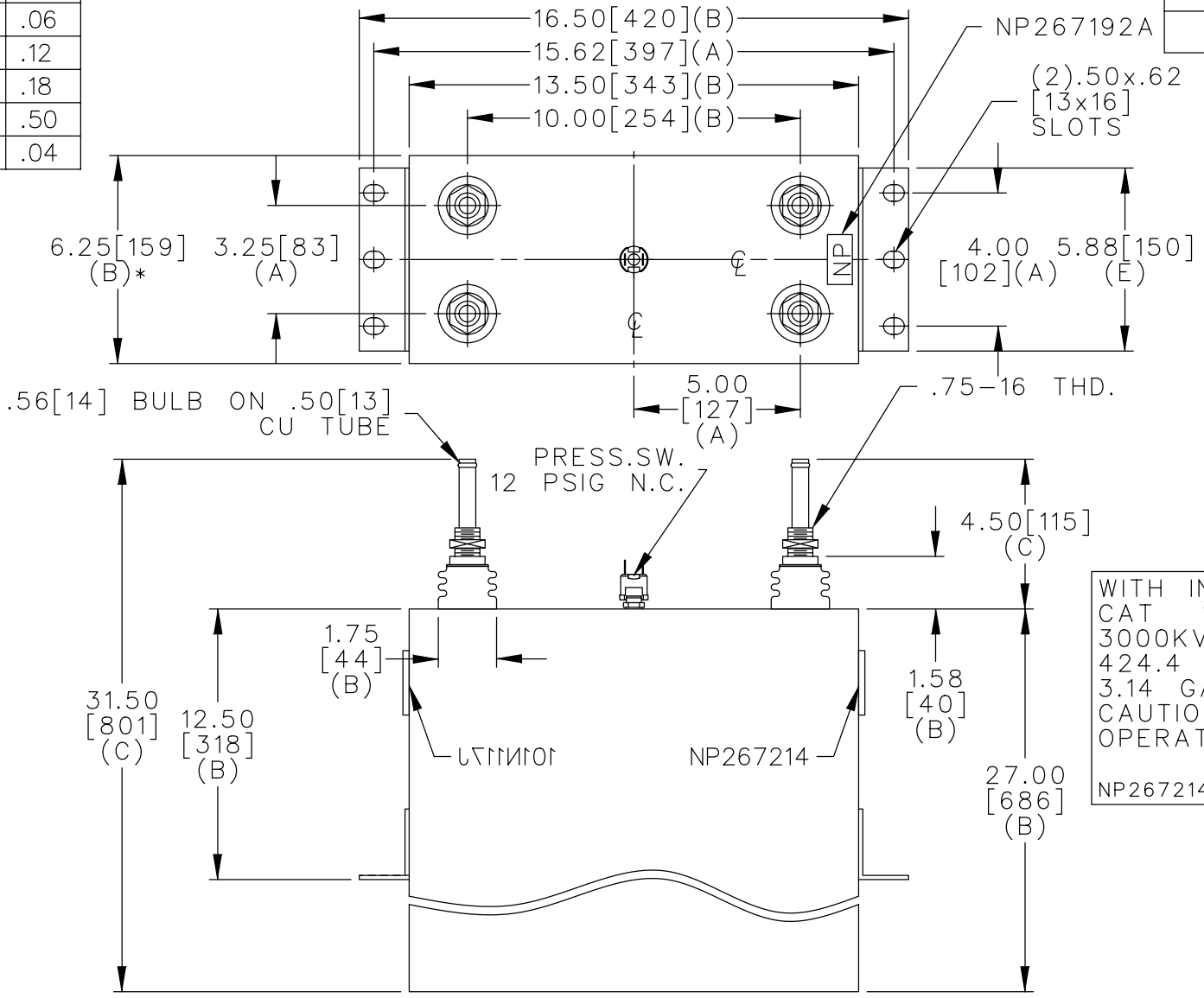


TOL	+/-
A	.06
B	.12
C	.18
D	.50
E	.04



WITH INTERNAL DISCH RESISTORS
 CAT 19L0792WH4 SN
 3000KVAR 1500V 500HZ 1PH
 424.4 UF/TAP
 3.14 GAL COMBUSTIBLE LIQUID
 CAUTION! BEFORE INSTALLING OR
 OPERATING READ GEH-2733
 NP267214

* UP TO +.50 [13]
 CASE BULGE

MAX. TERMINAL
 TIGHTENING TORQUE
 15 FT-LBS

NP267192A

	CAPACITOR & POWER PROTECTION FORT EDWARD, N.Y., U.S.A.		SIZE A	UNIT WEIGHT 110 / 50 LB/KG	OUTLINE 19L0792WH4	SHEET 2 CONT. 3
	DRAWN E.McGINN	APR. 3, 1997	SCALE	DISTR TO		
ISSUED 4-9-97						