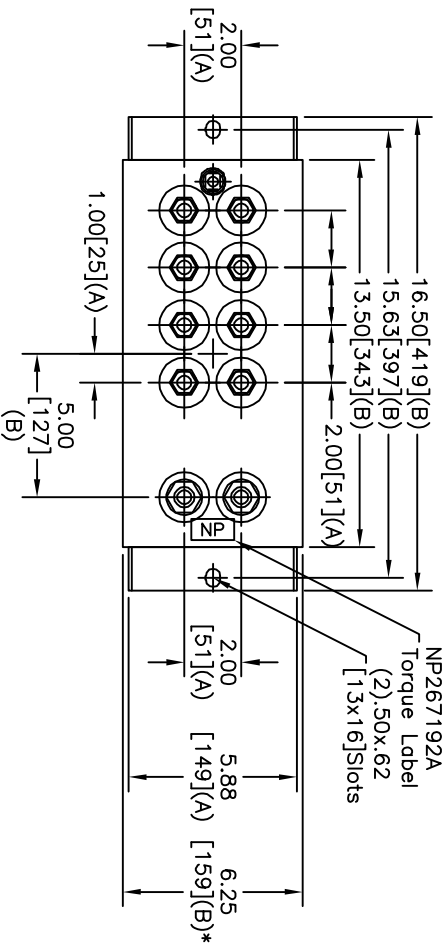
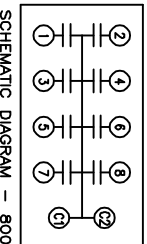
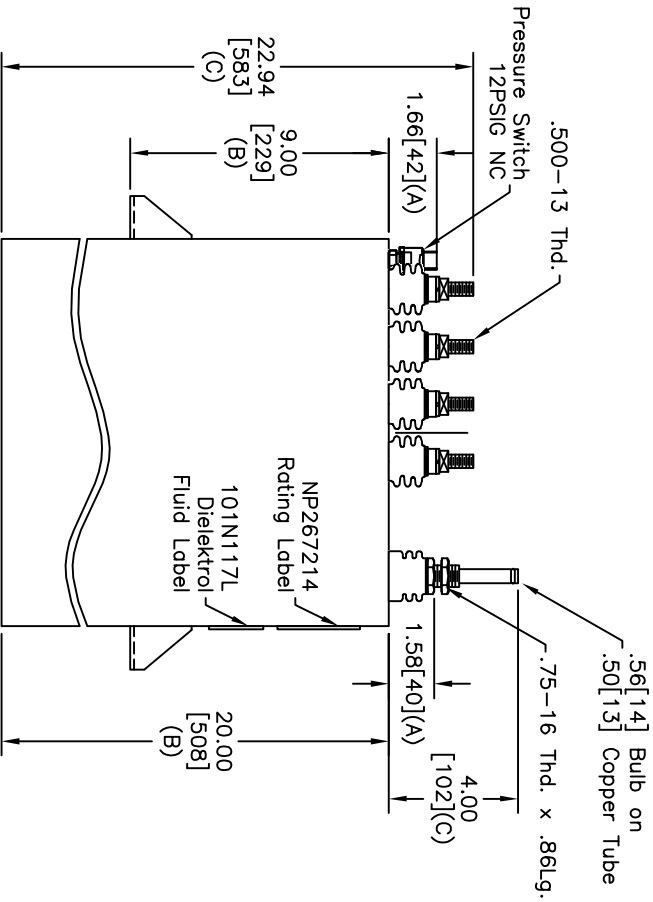


TOL	+/-
A	.06
B	.12
C	.18
D	.50
E	.04
BUSH, DIA	1.75[44](B)



TERM	UF	KVAR
1	57.82	263.8
2	57.82	263.8
3	57.82	263.8
4	57.82	263.8
5	57.82	263.8
6	57.82	263.8
7	57.82	263.8
8	57.82	263.8



CAPACITOR
 NO INTERNAL DISCHARGE RESISTORS
 CAT. 19L0794WH4 SN
 2110KVAR 1100V 600HZ 1PH
 8x57.82UF/TAP
 2.36 GAL. COMBUSTIBLE LIQUID
 CAUTION! BEFORE INSTALLING OR
 OPERATING READ GEH-2733

MADE IN USA
 NP267214

SIZE	DWG NO	SHT	REV
A	19L0794WH4	2	
REV	DESCRIPTION	DATE	APPROVED

* UP TO +.50[13]
 CASE BULGE
 MAX. TERMINAL
 TIGHTENING TORQUE
 15 FT-LBS.
 NP267192A

GE ENERGY
 FORT EDWARD, N.Y., U.S.A.

DRAWN B Ross
 DATE 12/17/2007

ISSUED

SIZE A
 SCALE

Est Weight 93 lbs.
 WC15

OUTLINE
 19L0794WH4

SHEET 2 CONT 3

DISTR. TO