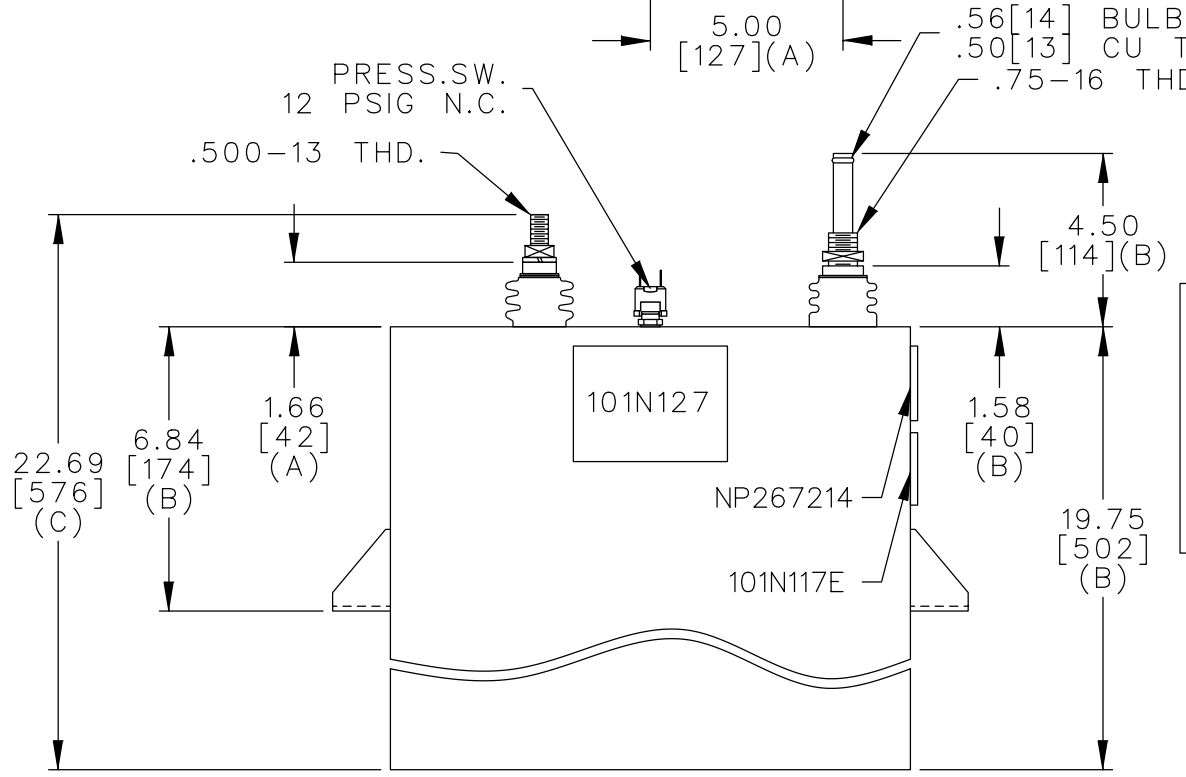
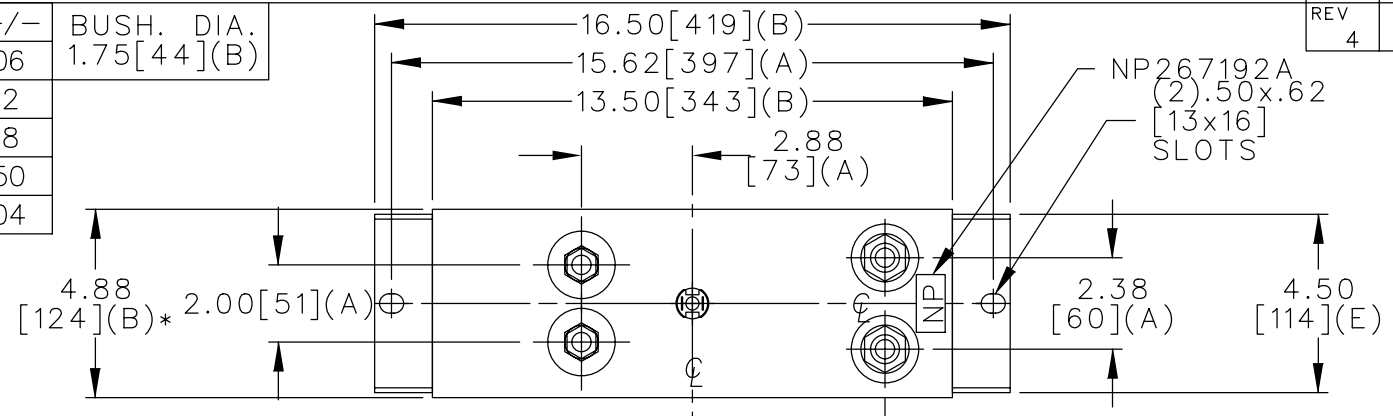


TOL	+/-
A	.06
B	.12
C	.18
D	.50
E	.04

BUSH. DIA.
1.75 [44] (B)

SIZE A	DWG NO. 19L0823TH4	SH	REV
REV 4	McGINN	CHG	NP
			DATE

TERM	uF
1	925
2	925



NO INTERNAL DISCH RESISTORS
 CAT. 19L0823TH4 SN
 700VDC 1850UF 400AMPS
 925 - 925 UF/SECT
 1.1 GAL. COMBUSTIBLE LIQUID
 CAUTION! BEFORE INSTALLING OR
 OPERATING READ GEH2733+2739
 MADE IN MEXICO
 NP267214

* UP TO +.50 [13]
CASE BULGE

MAX. TERMINAL
TIGHTENING TORQUE
15 FT-LBS

NP267192A

	CAPACITOR & POWER PROTECTION FORT EDWARD, N.Y., U.S.A.		SIZE A	OUTLINE 19L0823TH4		SHEET 2 CONT. 3
	DRAWN HUMPHRIES	MAR. 16, 1988	SCALE			
ISSUED	3-21-88		SCALE	SHEET 2 CONT. 3	DISTR TO	DISTR TO