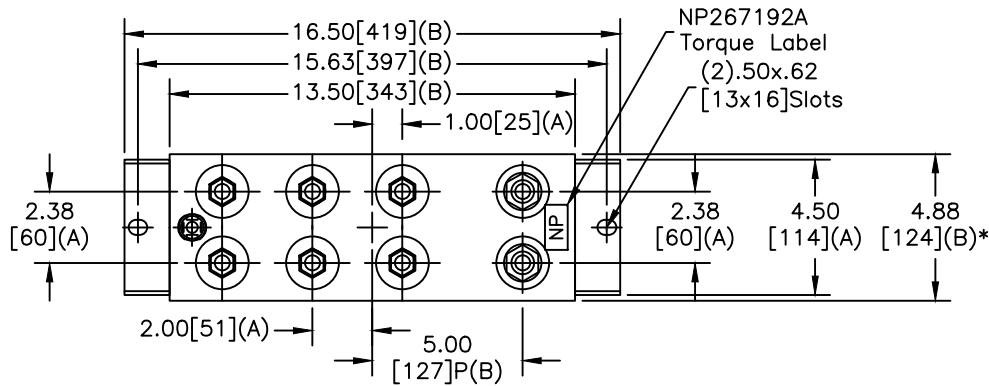
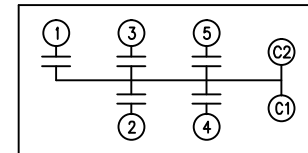
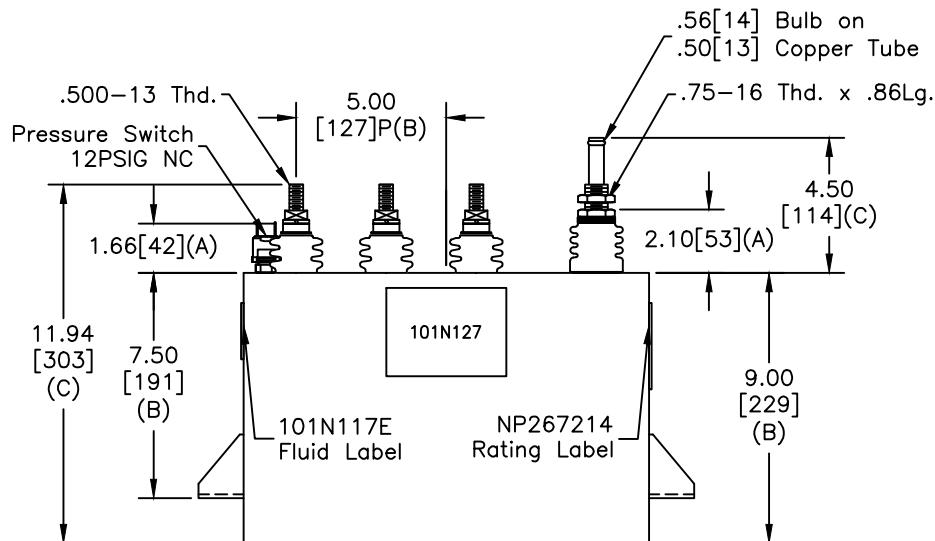


TOL	+/-
A	.06
B	.12
C	.18
D	.50
E	.04
BUSH. DIA.	1.75[44](B)

SIZE	DWG NO	SHT	REV
A	19L0826TH4	2	3
REV	DESCRIPTION	DATE	APPROVED
3	REDRAW	12/2/2014	JBC



TERM	uF
1	39
2	156
3	78
4	310
5	117



SCHEMATIC DIAGRAM - 515

GE CAPACITOR
WITH INTERNAL DISCHARGE RESISTORS

CAT. 19L0826TH4 SN
720VDC 700UF 450 ARMS
39+156+78+310+117UF/TAP
1.3 GAL. COMBUSTIBLE LIQUID
CAUTION! BEFORE INSTALLING OR
OPERATING READ GEH-2733+2739

MADE IN USA NP267214

* UP TO +.50[13]
CASE BULGE

MAX. TERMINAL
TIGHTENING TORQUE
15 FT-LBS.

NP267192A

	GE ENERGY FORT EDWARD, N.Y., U.S.A.		SIZE A	Est Weight 86 lbs.	OUTLINE 19L0826TH4	
	DRAWN DeGroff	DATE 4/5/1991	SCALE			WC6
ISSUED	DATE 4/8/1991					

DISTR. TO