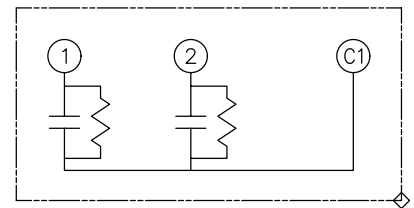
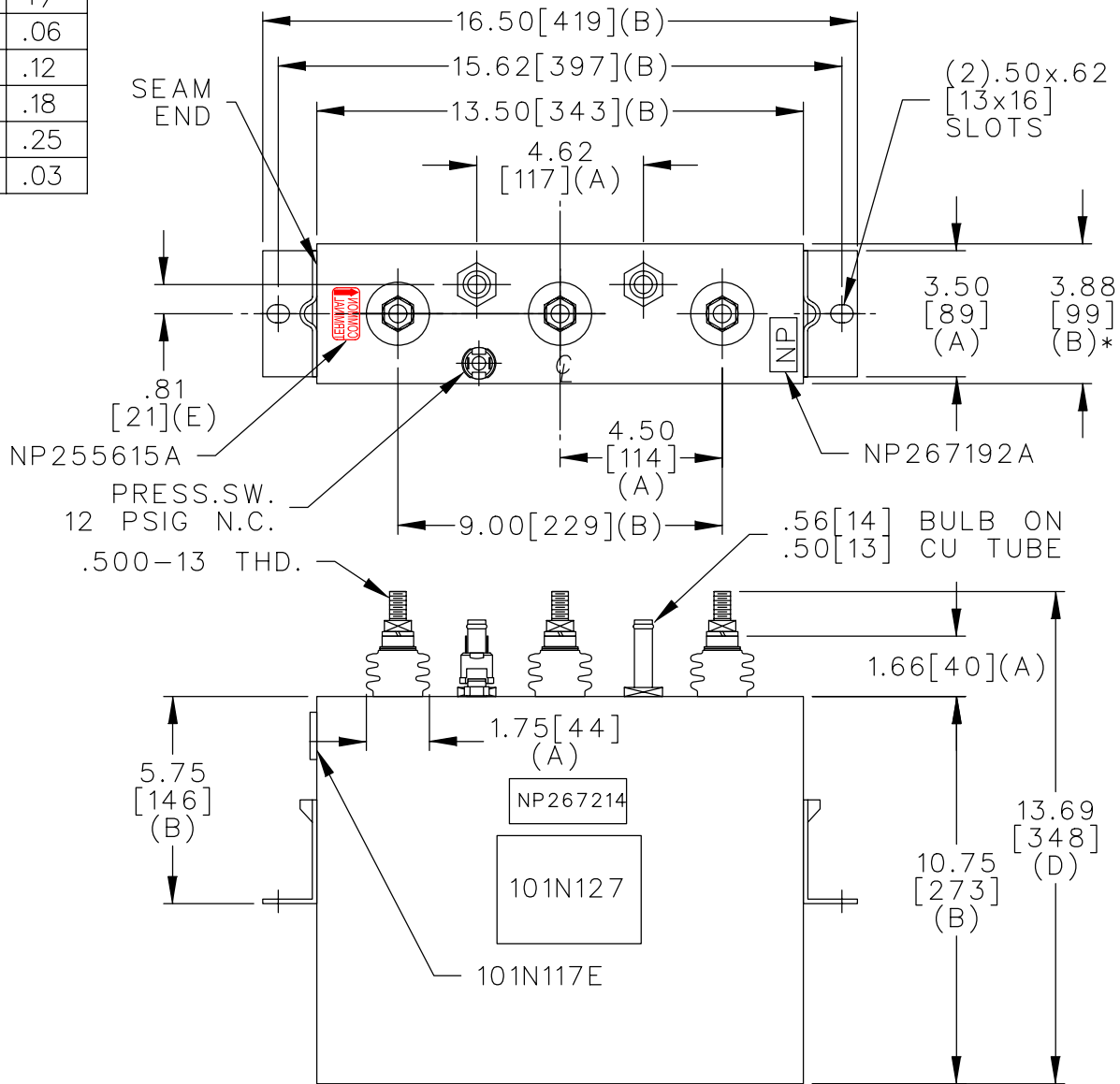


TOL	+/-
A	.06
B	.12
C	.18
D	.25
E	.03

SIZE A	DWG NO. 19L0866TH4	SH -	REV
REV 3	McGINN MOVE NP267214		



WITH INTERNAL DISCH RESISTORS
 CAT. 19L0866TH4 SN
 75KVAR 460V 60HZ 1PH
 470 UF/TAP
 1.3 GAL COMBUSTIBLE LIQUID
 CAUTION! BEFORE INSTALLING OR
 OPERATING READ GEH2733+2739
 MADE IN MEXICO
 NP267214

* UP TO +.50 [13]
 CASE BULGE

MAX. TERMINAL
 TIGHTENING TORQUE
 15 FT-LBS

NP267192A

	CAPACITOR & POWER PROTECTION FORT EDWARD, N.Y., U.S.A.		SIZE A	FSCM NO	OUTLINE 19L0866TH4	DISTR TO
	DRAWN E.McGINN	NOV. 5, 1996	SCALE	SHEET 2		
ISSUED	11-13-96					