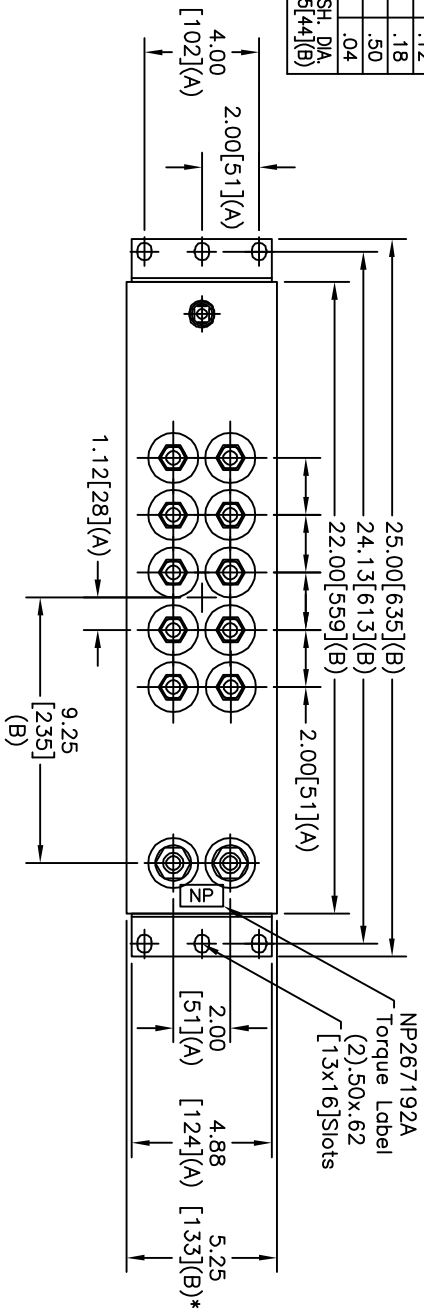
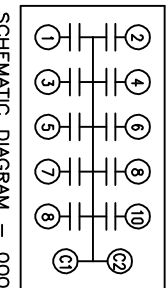
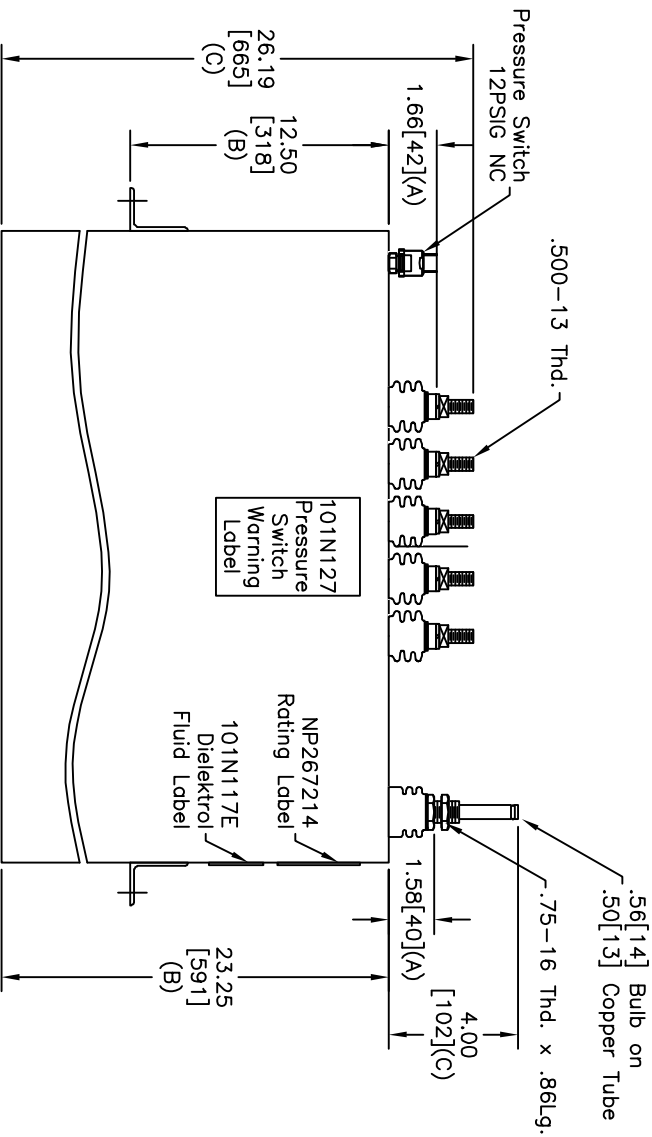


TOL	+/-
A	.06
B	.12
C	.18
D	.50
E	.04
BUSH, DIA	1.75[44](B)



TERM	UF
1	500
2	500
3	500
4	500
5	500
6	500
7	500
8	500
9	500
10	500



SCHEMATIC DIAGRAM - 000

CAPACITOR
 NO INTERNAL DISCHARGE RESISTORS
 CAT. 1910867TJ4 SN
 900VDC 500UF 2500AMPS MAX.
 10x500 UF/TAP
 5.5 GAL. COMBUSTIBLE LIQUID
 CAUTION! BEFORE INSTALLING OR
 OPERATING READ GEH-2733+2739

MADE IN USA NP267214

* UP TO +.75[19]
 CASE BULGE

MAX. TERMINAL
 TIGHTENING TORQUE
 15 FT-LBS.
 NP267192A

SIZE	DWG NO	SHT	REV
A	1910867TJ4	2	5
REV	DESCRIPTION	DATE	APPROVED
5	FLUID LABEL WAS L + ADD TERMS	4/2/2008	BTR

GE ENERGY
FORT EDWARD, N.Y., U.S.A.

DRAWN W. DEGROFF DATE 6/30/1992
 ISSUED DATE 7/7/1992

SIZE **A** Est Weight 135 lbs.
 SCALE WC15

OUTLINE
 1910867TJ4

SHEET 2 CONT 3

DISTR. TO