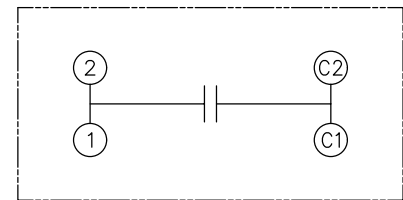
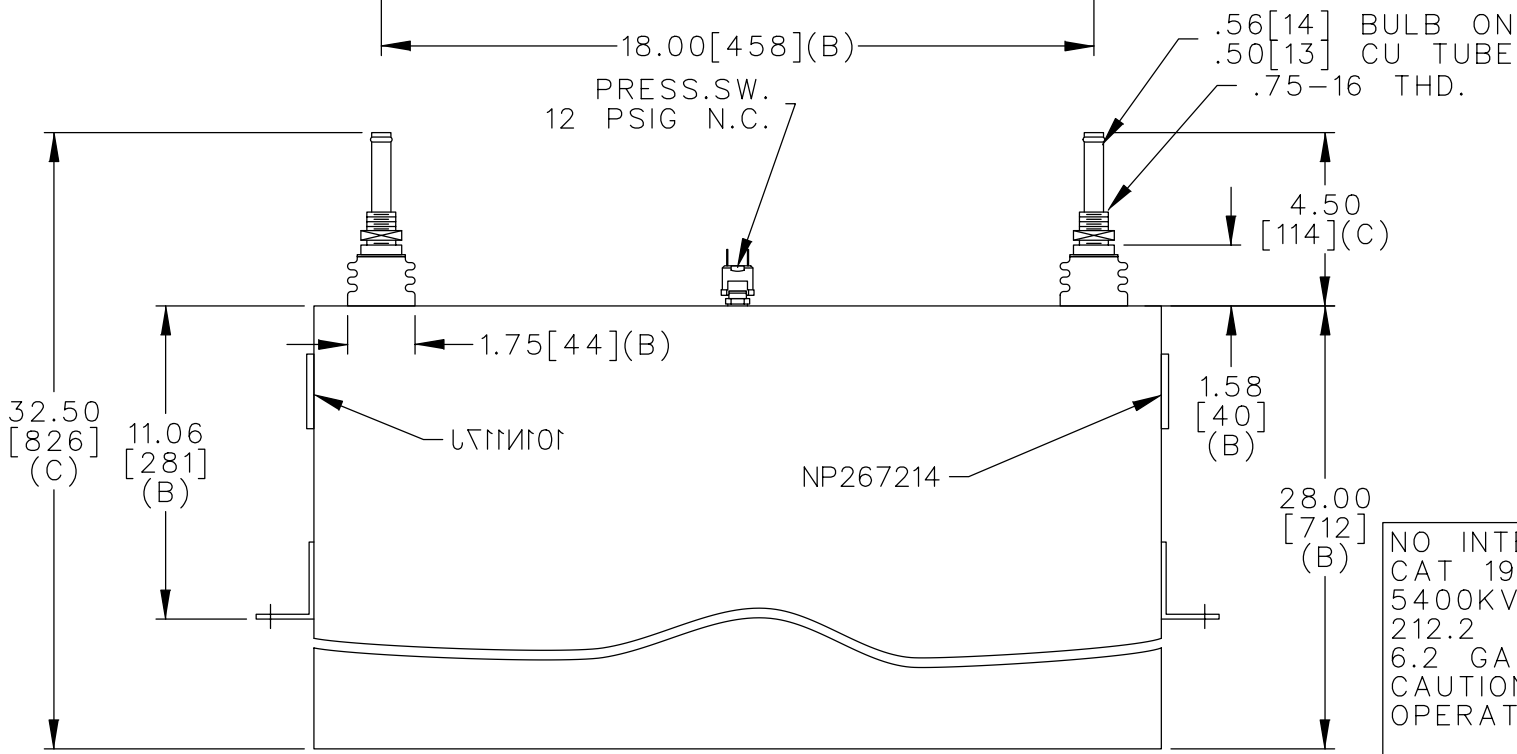
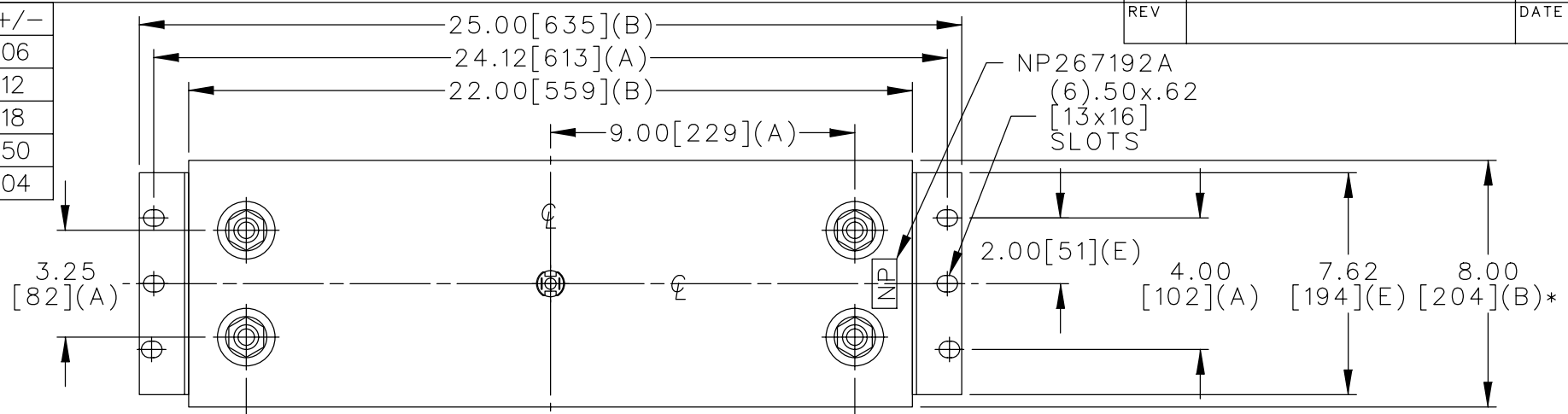


TOL	+/-
A	.06
B	.12
C	.18
D	.50
E	.04



NO INTERNAL DISCH RESISTORS  
 CAT 19L1033WH4 SN  
 5400KVAR 3000V 450HZ 1PH  
 212.2 UF/TAP  
 6.2 GAL COMBUSTIBLE LIQUID  
 CAUTION! BEFORE INSTALLING OR  
 OPERATING READ GEH-2733

\* UP TO +.75 [19]  
 CASE BULGE

MAX. TERMINAL  
 TIGHTENING TORQUE  
 15 FT-LBS

NP267192A

	CAPACITOR & POWER PROTECTION FORT EDWARD, N.Y., U.S.A.		SIZE <b>A</b>	<b>OUTLINE</b> <b>19L1033WH4</b>		DISTR TO
	DRAWN E.McGINN	OCT. 24, 1997	SCALE			
ISSUED			SHEET 2	CONT. 3	ON	3