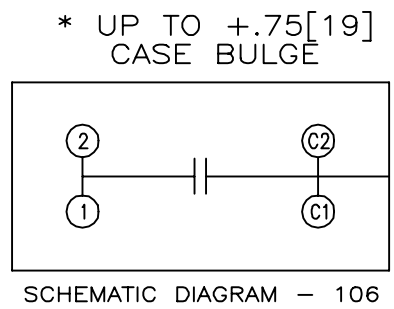
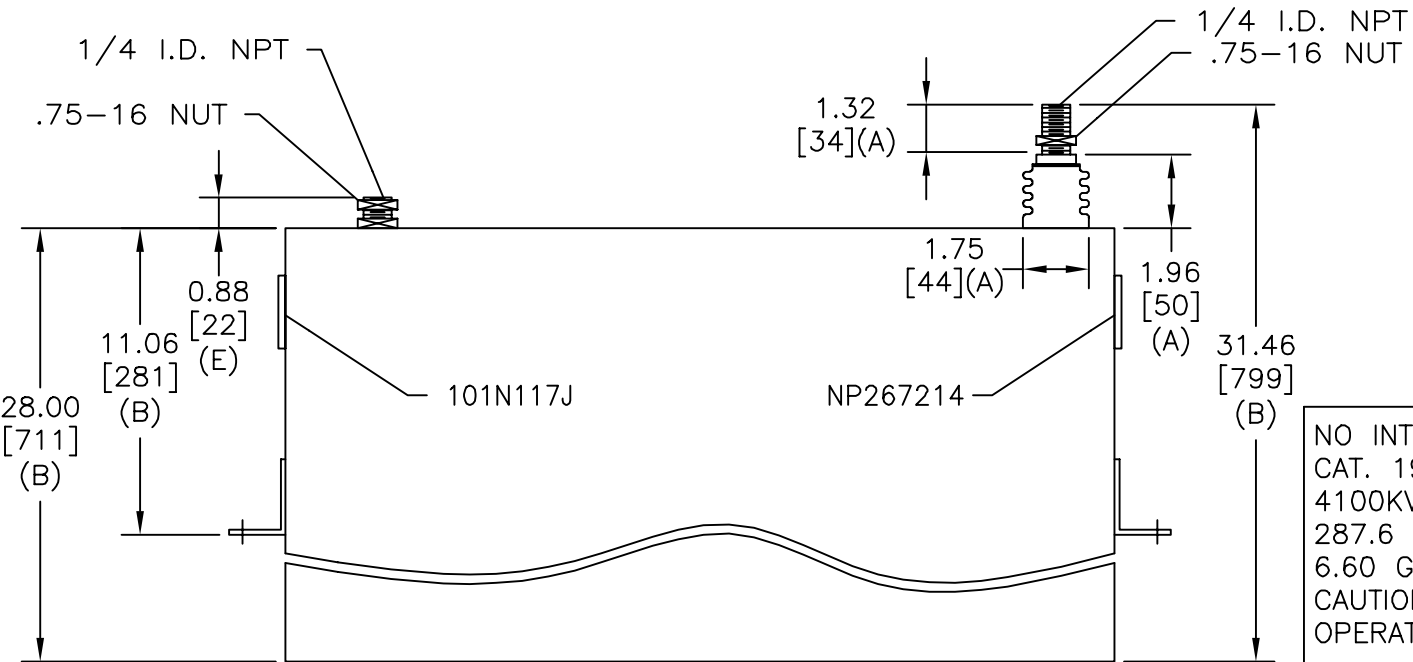
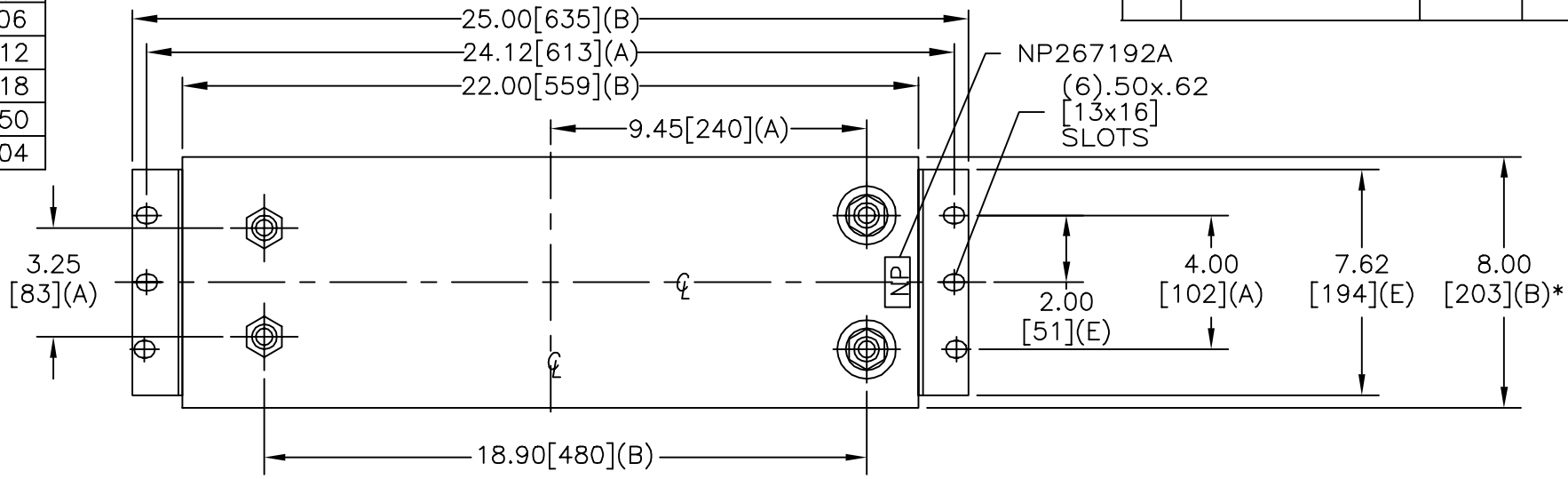


SIZE A	DWG NO 19L1037WH3	SHT 2	REV
REV	DESCRIPTION	DATE	APPROVED

TOL	+/-
A	.06
B	.12
C	.18
D	.50
E	.04



NO INTERNAL DISCH RESISTORS
 CAT. 19L1037WH3 SN
 4100KVAR 2750V 300HZ 1PH
 287.6 UF
 6.60 GAL. COMBUSTIBLE LIQUID
 CAUTION! BEFORE INSTALLING OR
 OPERATING READ GEH-2733

NP267214

MAX. TERMINAL
 TIGHTENING TORQUE
 15 FT-LBS

NP267192A

INDUSTRIAL SYSTEMS FORT EDWARD, N.Y., U.S.A.		SIZE A
DRAWN	B.ROSS	DATE JUL 8, 2002
ISSUED		DATE 7/10/02
SCALE		

OUTLINE 19L1037WH3	
SHEET	CONT
2	ON 3

DISTR. TO