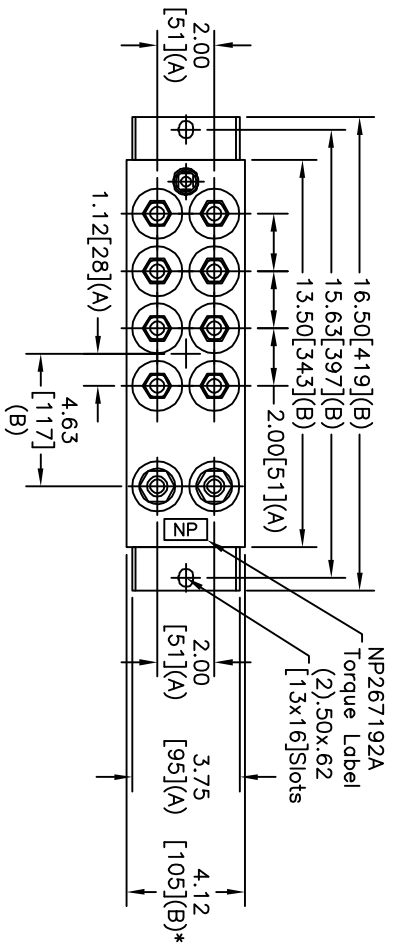
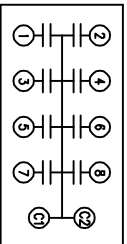


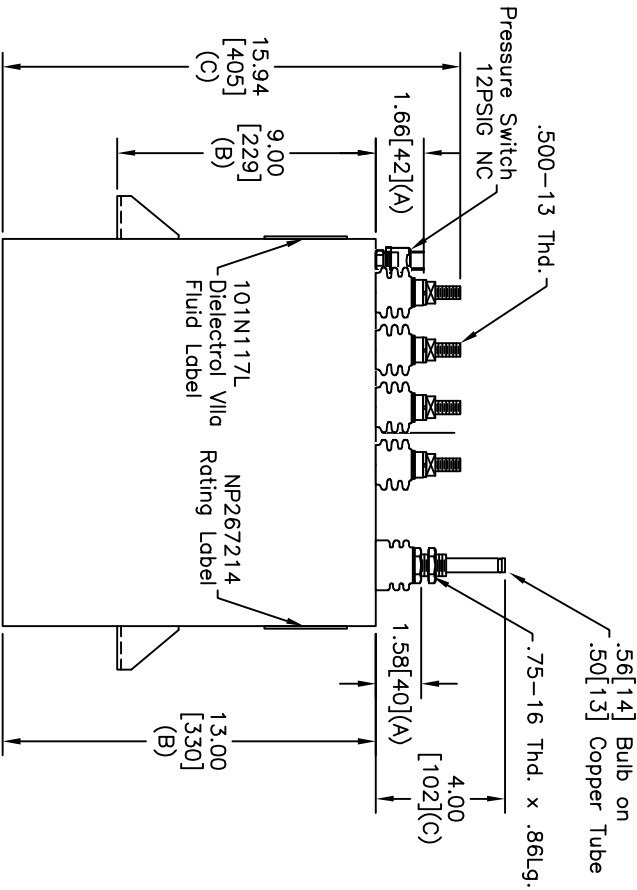
TOL	+/-
A	.06
B	.12
C	.18
D	.50
E	.04
BUSH, DIA	1.75[44](B)



TERM	UF	KVAR
1	6.84	290
2	6.84	290
3	6.84	290
4	6.84	290
5	6.84	290
6	6.84	290
7	6.84	290
8	6.84	290



NO INTERNAL DISCH RESISTORS
 CAT. 19L1077WH4 SN
 2320KVAR 1500V 3000HZ 1PH
 8x6.84UF/TAP
 1.49 GAL. COMBUSTIBLE LIQUID
 CAUTION! BEFORE INSTALLING OR
 OPERATING READ GEH-2733
 MADE IN USA NP267214



* UP TO +.50[13]
 CASE BULGE

MAX. TERMINAL
 TIGHTENING TORQUE
 15 FT-LBS.
 NP267192A

GE ENERGY FORT EDWARD, N.Y., U.S.A.		SIZE	A
DRAWN	E. MCGINN	DATE	2/27/1997
ISSUED		DATE	3/5/1997
OUTLINE 19L1077WH4		SCALE	WC15
Est Weight 43 lbs.		SHEET	2
		CONT	ON

REV	DESCRIPTION	DATE	APPROVED
1	RE-TRACE	2/26/2007	BTR

DISTR. TO