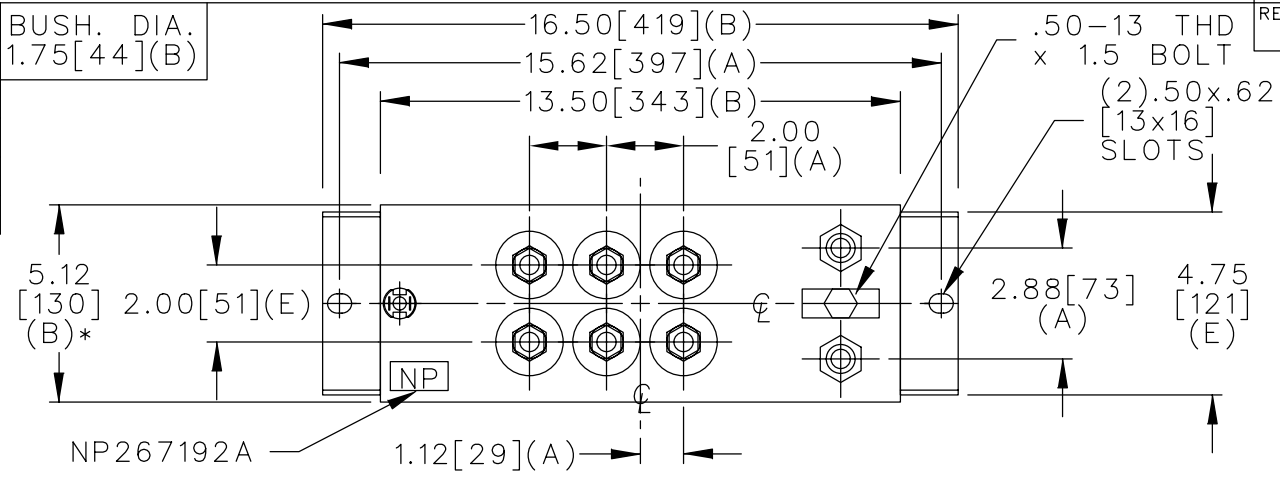
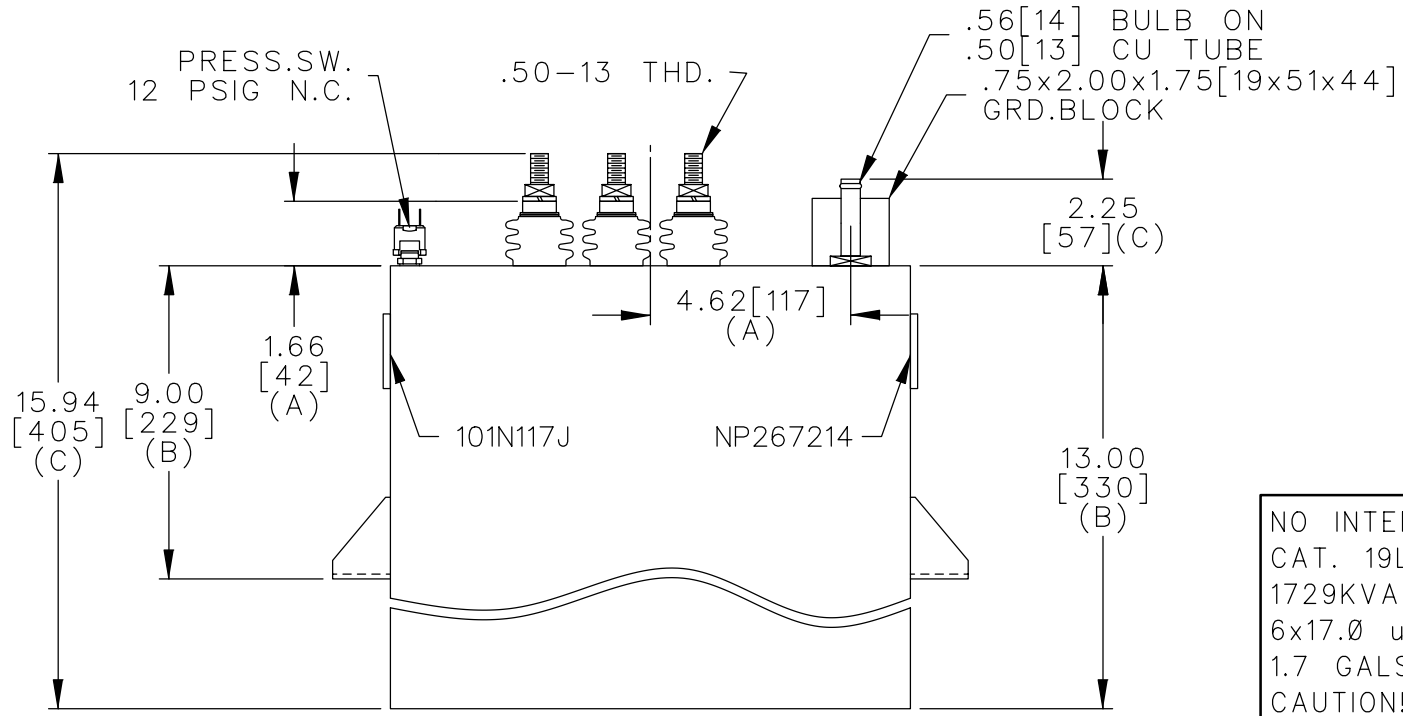
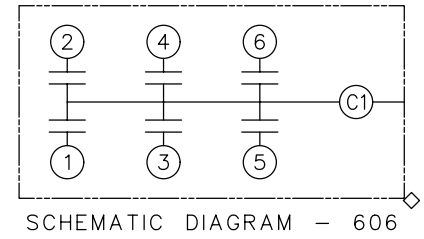


TOL	+/-	BUSH. DIA.
A	.06	1.75[44](B)
B	.12	
C	.18	
D	.50	
E	.04	



TERM	uF	kVAR
1	17.0	288.1
2	17.0	288.1
3	17.0	288.1
4	17.0	288.1
5	17.0	288.1
6	17.0	288.1



NO INTERNAL DISCH RESISTORS  
 CAT. 19L1084WH4 SN  
 1729KVAR 1500V 1200Hz 1 PH  
 6x17.0 uF/TAP  
 1.7 GALS.COMBUSTIBLE LIQUID  
 CAUTION!BEFORE INSTALLING  
 OR OPERATING READ GEH-2733  
 NP267214

\* UP TO +.50[13] CASE BULGE

MAX. TERMINAL TIGHTENING TORQUE 15 FT-LBS

NP267192A

	CAPACITOR & POWER PROTECTION FORT EDWARD, N.Y., U.S.A.		SIZE <b>A</b>	UNIT WEIGHT 61/28 LB/KG	OUTLINE <b>19L1084WH4</b>	SHEET 2 CONT. ON
	DRAWN E.McGINN	MAY 1, 1997	SCALE	DISTR TO		