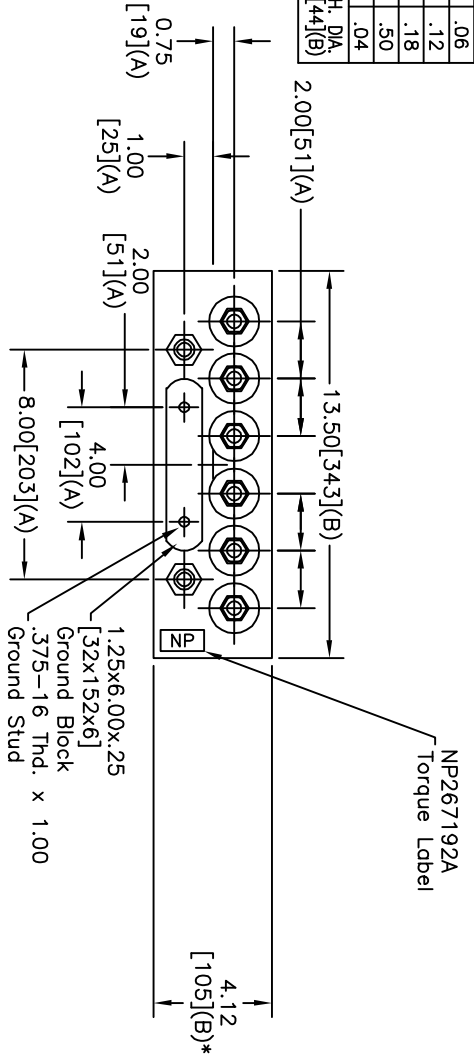
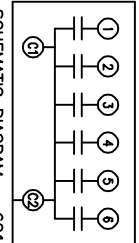
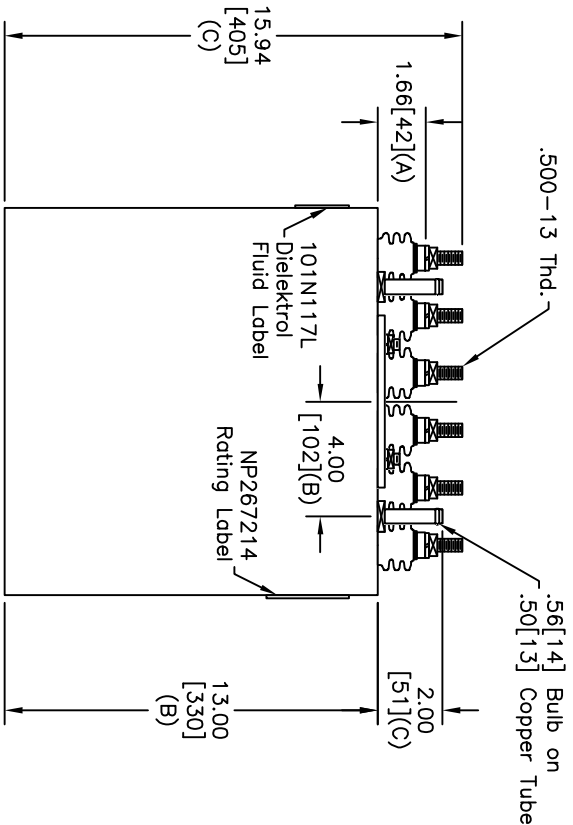


TOL	+/-
A	.06
B	.12
C	.18
D	.50
E	.04
BUSH, DIA.	1.75[44](B)



TERM	UF	KVAR
1	16.98	167
2	16.98	167
3	16.98	167
4	16.98	167
5	16.98	167
6	16.98	167



SCHEMATIC DIAGRAM - 601

GE
CAPACITOR
 NO INTERNAL DISCHARGE RESISTORS
 CAT. 19L1099WH1 SN
 1000KVAR 1250V 1000HZ 1PH
 6x16.98UF/TAP
 1.4 GAL. COMBUSTIBLE LIQUID
 CAUTION! BEFORE INSTALLING OR
 OPERATING READ GEH-2733

MADE IN USA
 NP267214

SIZE	DWG NO	SHT	REV
A	19L1099WH1	2	1
REV	DESCRIPTION	DATE	APPROVED
1	REDRAW	4/4/2008	BTR

* UP TO +.50[13]
 CASE BULGE
 MAX. TERMINAL
 TIGHTENING TORQUE
 15 FT-LBS.
 NP267192A

GE ENERGY
FORT EDWARD, N.Y., U.S.A.

DRAWN McGinn DATE 10/20/1997
 ISSUED DATE

SIZE **A**
 SCALE W/C9 Est Weight 45 lbs.

OUTLINE
19L1099WH1

SHEET 2 CONT 3

DISTR. TO