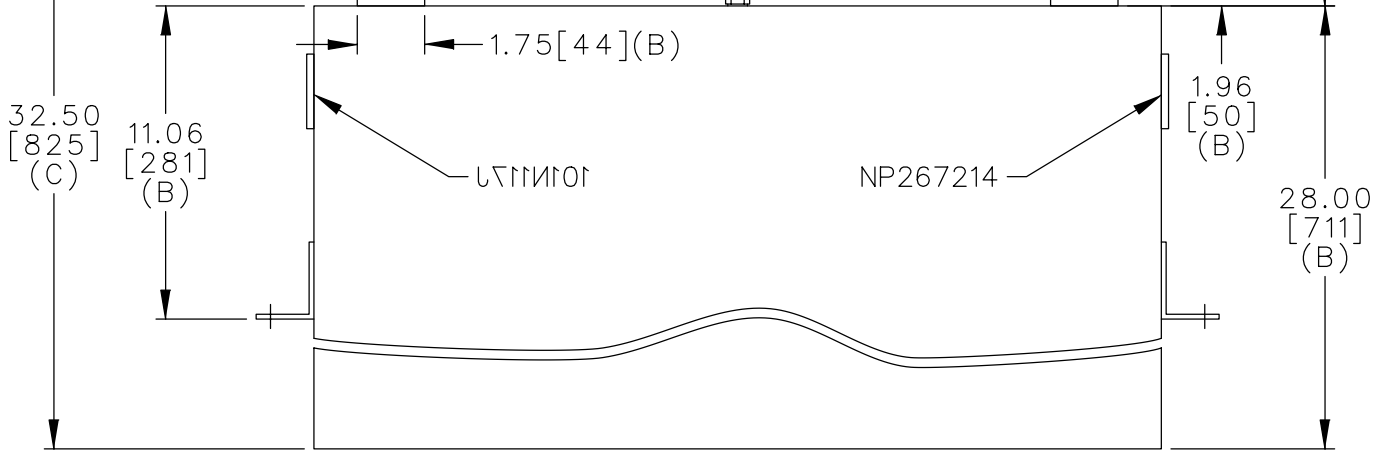
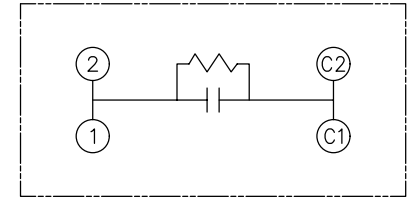
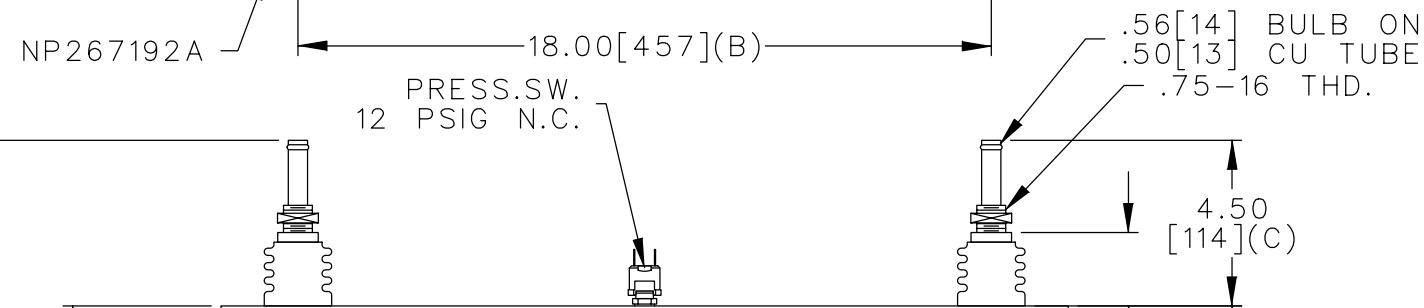
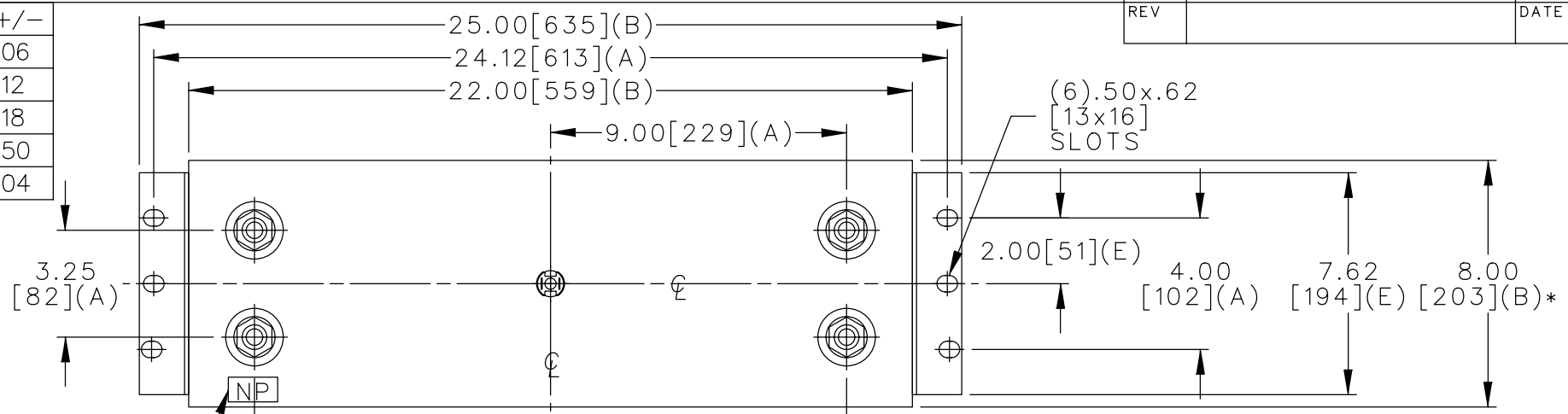


TOL	+/-
A	.06
B	.12
C	.18
D	.50
E	.04



WITH INTERNAL DISCH RESISTORS
 CAT. 19L1119WH4 SN
 900 KVAR 2000 V 70 HZ
 1 PH 512 UF
 6.9 GALS. COMBUSTIBLE LIQUID
 CAUTION! BEFORE INSTALLING
 OR OPERATING READ GEH-2736
 NP267214

* UP TO +.75 [19] CASE BULGE

MAX. TERMINAL TIGHTENING TORQUE 15 FT-LBS

NP267192A

	CAPACITOR & POWER PROTECTION FORT EDWARD, N.Y., U.S.A.		SIZE A	OUTLINE 19L1119WH4		SHEET 2 CONT. 3	DISTR TO
	DRAWN E.McGINN	SEPT. 11, 1998	SCALE				
ISSUED							