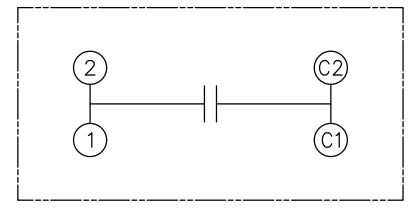
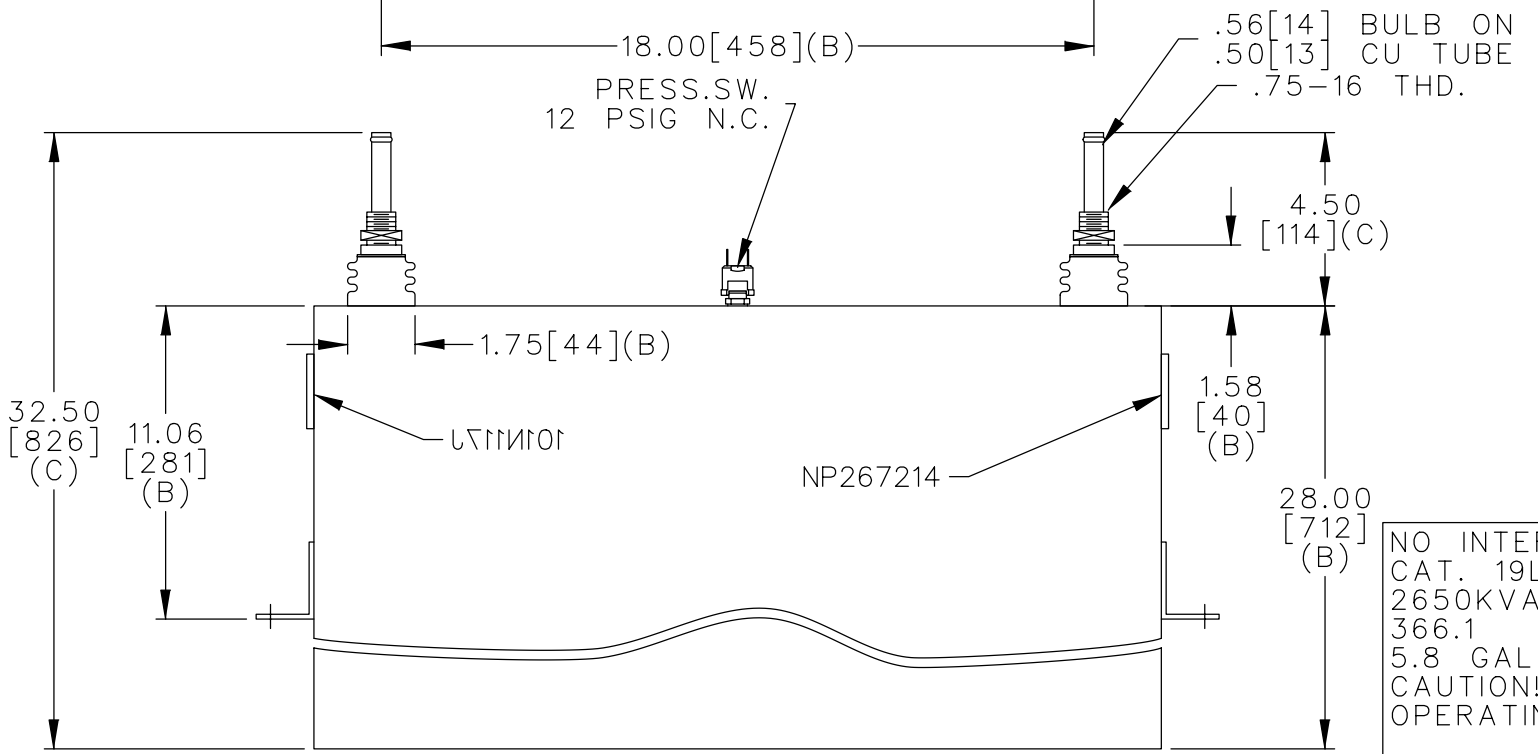
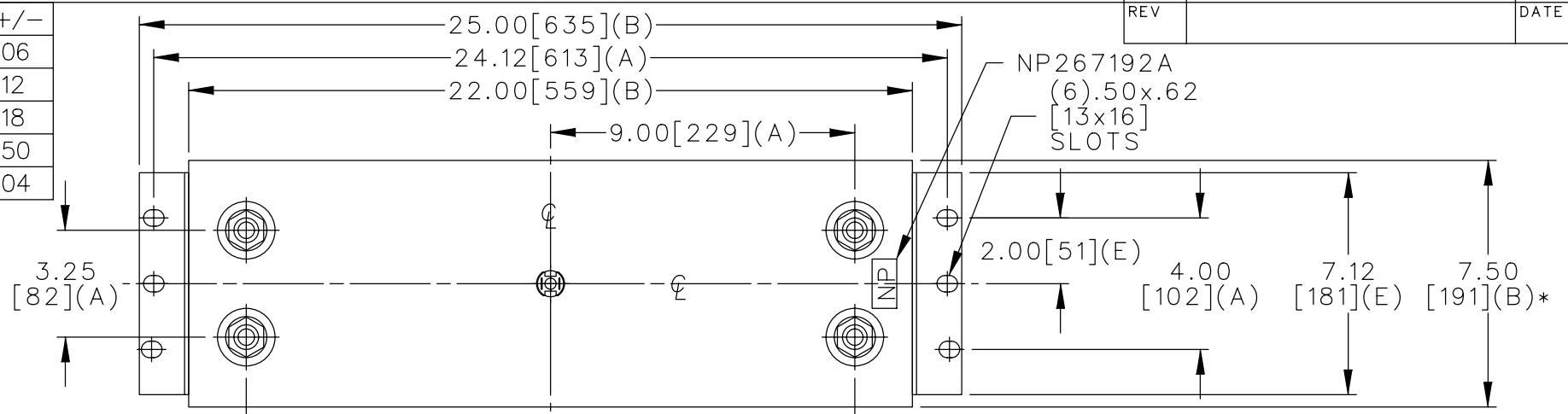


TOL	+/-
A	.06
B	.12
C	.18
D	.50
E	.04



SCHEMATIC DIAGRAM - 105

NO INTERNAL DISCH RESISTORS
 CAT. 19L1161WH4 SN
 2650KVAR 2400V 200HZ 1PH
 366.1 UF/TAP
 5.8 GAL COMBUSTIBLE LIQUID
 CAUTION! BEFORE INSTALLING OR
 OPERATING READ GEH-2733
 NP267214

* UP TO +.75 [19]
 CASE BULGE

MAX. TERMINAL
 TIGHTENING TORQUE
 15 FT-LBS

NP267192A

	CAPACITOR & POWER PROTECTION FORT EDWARD, N.Y., U.S.A.		SIZE A	OUTLINE 19L1161WH4		SHEET 2 CONT. 3	DISTR TO
	DRAWN E.McGINN	FEB. 2, 2001					
ISSUED							