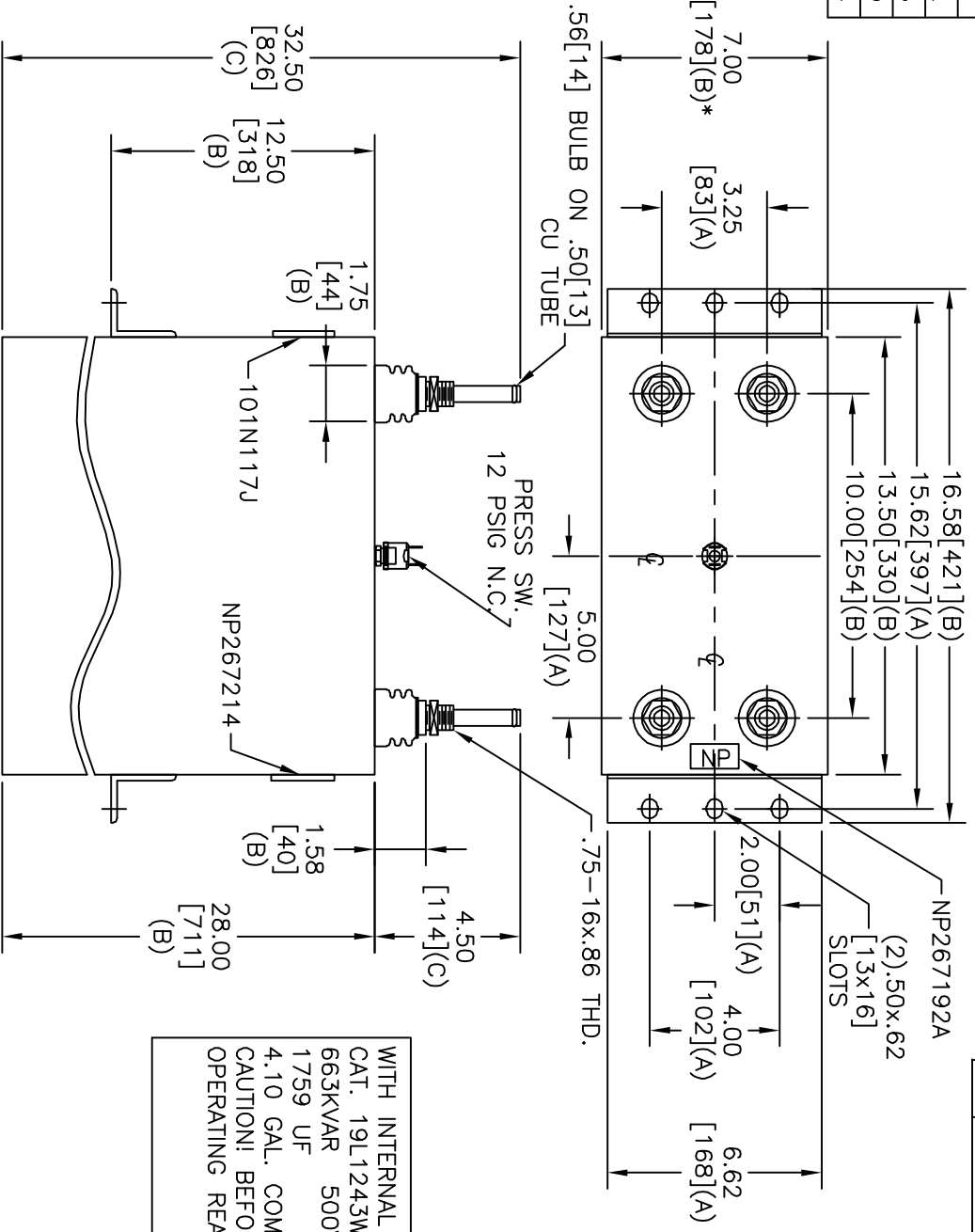
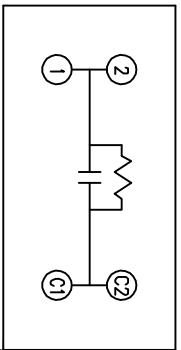


TOL	+/-
A	.06
B	.12
C	.18
D	.50
E	.04



SIZE	DWG NO	SHT	REV
A	19L1243WH4	2	1
REV	DESCRIPTION	DATE	APPROVED
1	ADD NP LOC	9/1/04	BTR



WITH INTERNAL DISCH RESISTORS  
 CAT. 19L1243WH4 SN  
 663KVAR 500V 240HZ 1PH  
 1759 UF  
 4.10 GAL. COMBUSTIBLE LIQUID  
 CAUTION! BEFORE INSTALLING OR  
 OPERATING READ GEH-2733

NP267214

\* UP TO +.50 [13]  
 CASE BULGE

MAX. TERMINAL  
 TIGHTENING TORQUE  
 15 FT-LBS

NP267192A

INDUSTRIAL SYSTEMS FORT EDWARD, N.Y., U.S.A.		DATE	APR 8, 2004
		ISSUED	DATE
DRAWN	B. ROSS	DATE	APR 8, 2004

SIZE  
 A  
 SCALE

OUTLINE  
 19L1243WH4

SHEET 2 CONT 3

DISTR. TO