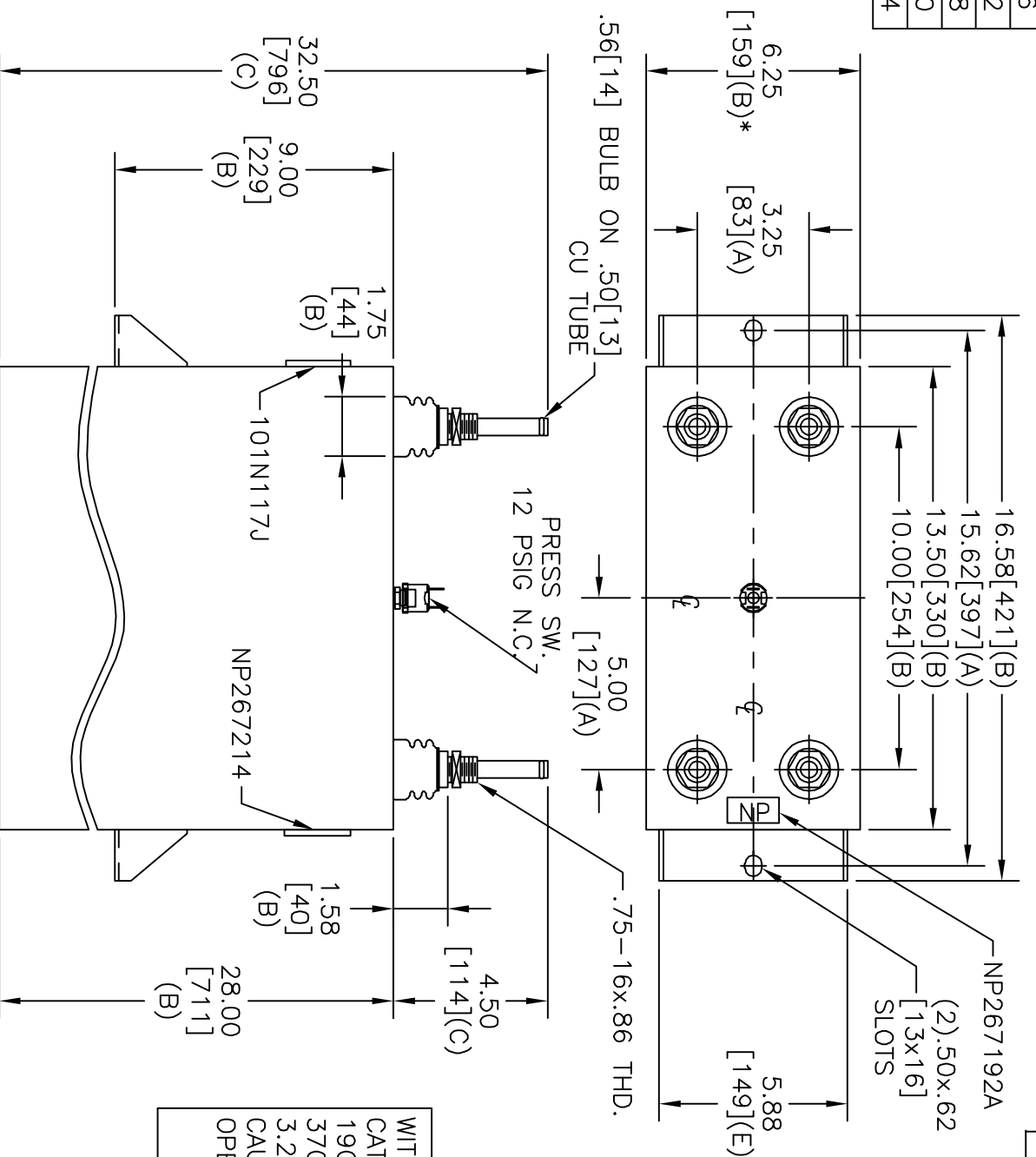
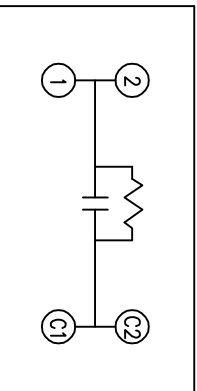


TOL	+/-
A	.06
B	.12
C	.18
D	.50
E	.04



SIZE	DWG NO	SHT	REV
A	19L1258WH4	2	
REV	DESCRIPTION	DATE	APPROVED



SCHEMATIC DIAGRAM - 107

WITH INTERNAL DISCH RESISTORS
 CAT. 19L1258WH4 SN
 1900KVAR 1650V 300HZ 1PH
 370.2 UF
 3.26 GAL. COMBUSTIBLE LIQUID
 CAUTION! BEFORE INSTALLING OR
 OPERATING READ GEH-2733

NP267214

* UP TO +.50 [13]
 CASE BULGE

MAX. TERMINAL
 TIGHTENING TORQUE
 15 FT-LBS

NP267192A

		INDUSTRIAL SYSTEMS		SIZE	EST WEIGHT	110 LBS	OUTLINE	19L1258WH4		
		FORT EDWARD, N.Y., U.S.A.								
DRAWN	E. McGinn	DATE	11-18-04	A			SHEET	2	CONT	3
ISSUED		DATE	11-24-04							