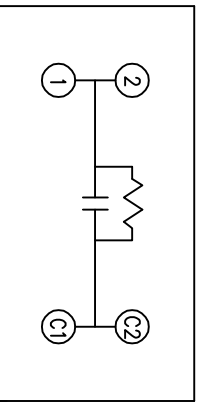
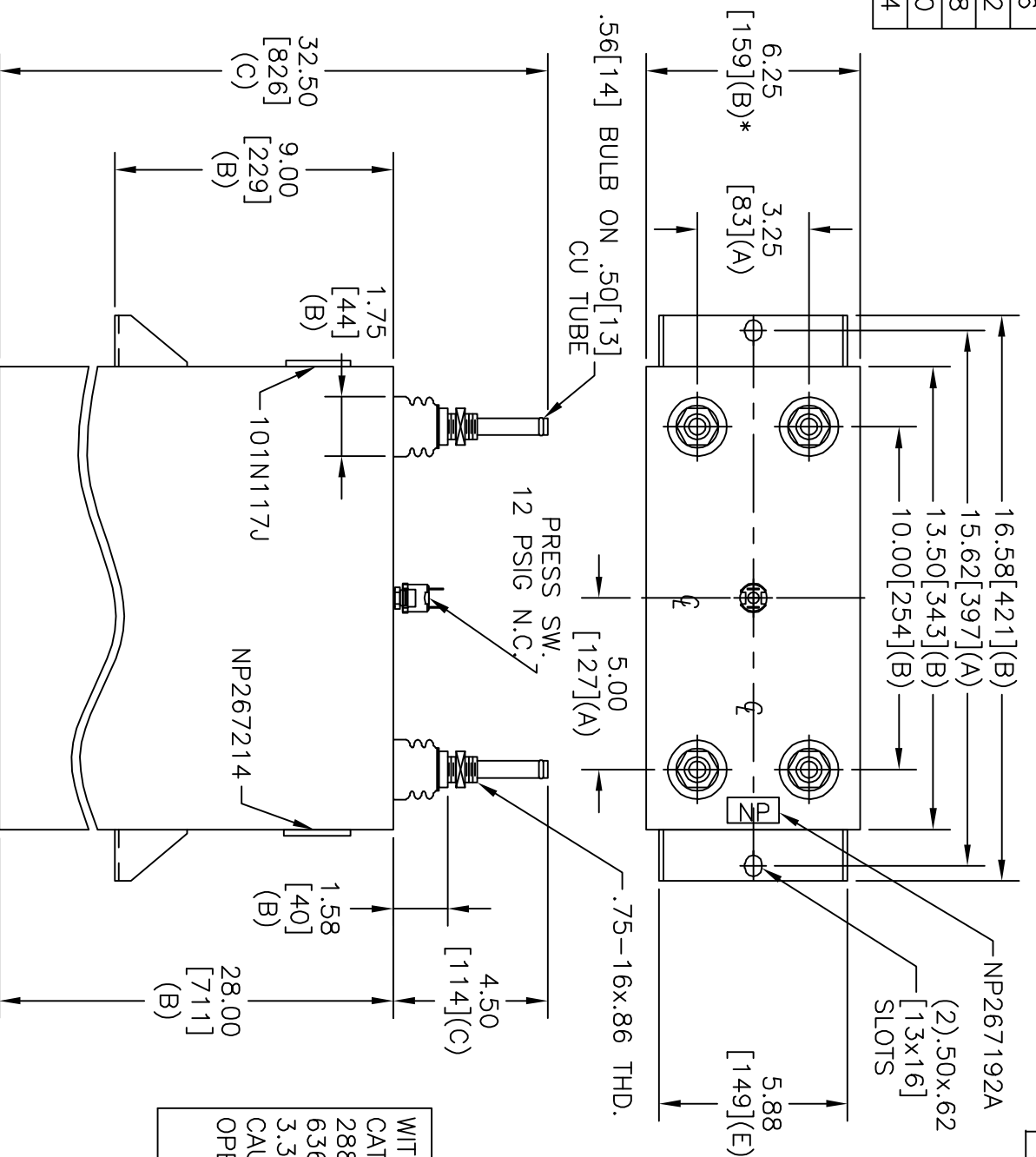


TOL	+/-
A	.06
B	.12
C	.18
D	.50
E	.04

SIZE	DWG NO	SHT	REV
A	19L1259WH4	2	2
REV	DESCRIPTION	DATE	APPROVED
2	CORRECT [MM] IN 13.50	6/29/05	BTR



WITH INTERNAL DISCH RESISTORS
 CAT. 19L1259WH4 SN
 2880KVAR 1200V 500HZ 1PH
 636.6 UF
 3.37 GAL. COMBUSTIBLE LIQUID
 CAUTION! BEFORE INSTALLING OR
 OPERATING READ GEH-2733

NP267214

* UP TO +.50 [13]
 CASE BULGE
 MAX. TERMINAL
 TIGHTENING TORQUE
 15 FT-LBS
 NP267192A

INDUSTRIAL SYSTEMS
FORT EDWARD, N.Y., U.S.A.

DRAWN B. ROSS
 DATE DEC 27, 2004

ISSUED
 DATE 1/5/05

SIZE A
 SCALE

OUTLINE
19L1259WH4

SHEET 2 CONT 3