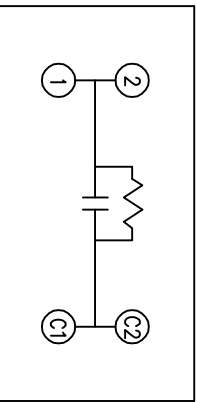
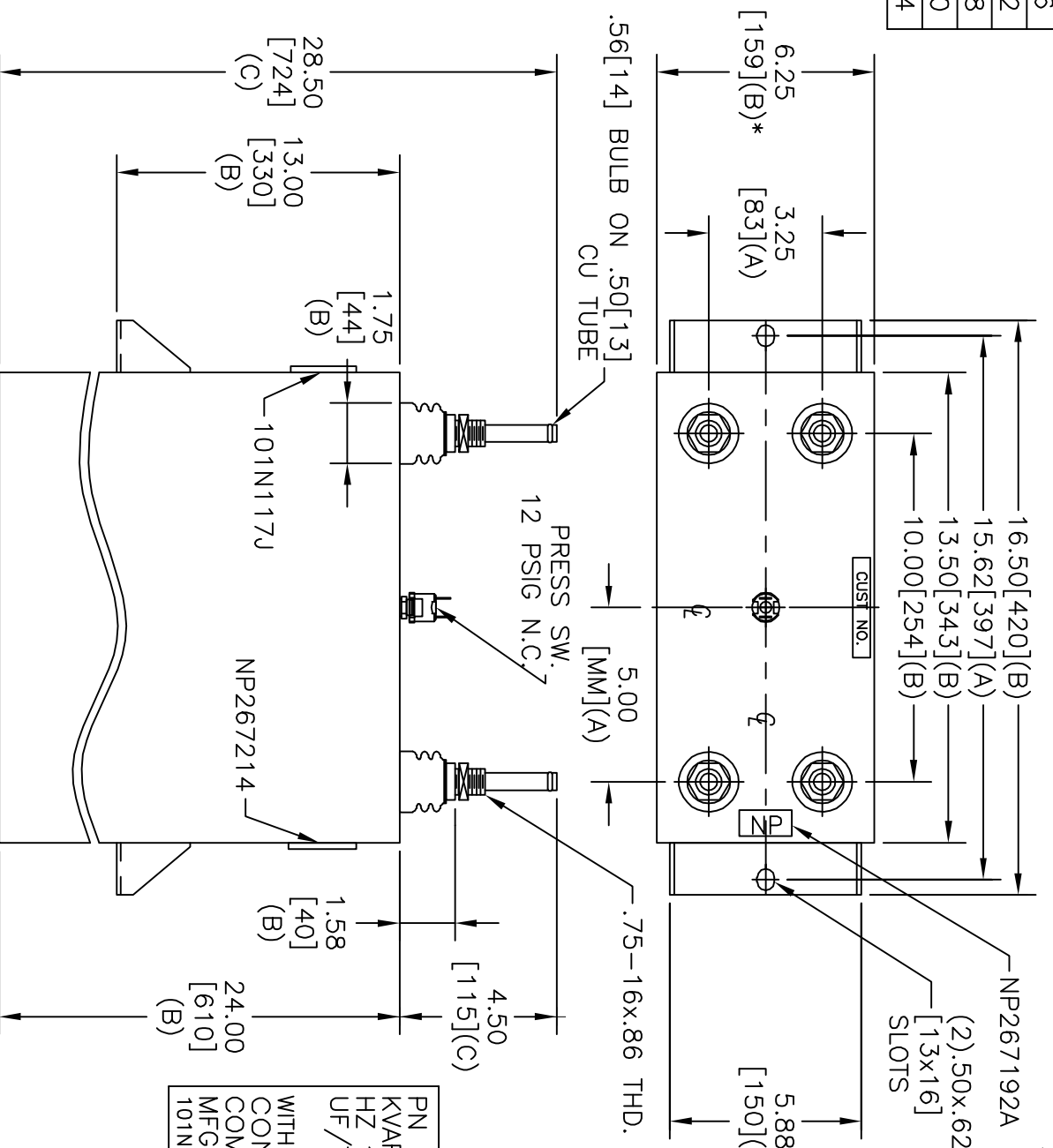


TOL	+/-
A	.06
B	.12
C	.18
D	.50
E	.04

SIZE	DWG NO	SHT	REV
A	19L1265WP4	2	
REV	DESCRIPTION	DATE	APPROVED



PN PP 402-498 SER. NO.
 KVAR 4450 VOLTS 2400
 HZ 1000 PH 1 NO. TAPS 1
 UF/TAP 123

WITH INTERNAL DISCH RESISTORS
 CONTAINS 3.0 GALS. NO PCB
 COMBUSTIBLE FLUID OSHA CLASS III-B
 MFG DATE 1011N298
 MADE IN USA

PILLAR INDUCTION COMPANY
 PP 402-498

* UP TO +.50[13]
 CASE BULGE
 MAX. TERMINAL
 TIGHTENING TORQUE
 15 FT-LBS
 NP267192A

INDUSTRIAL SYSTEMS
 FORT EDWARD, N.Y., U.S.A.

DRAWN B. ROSS DATE MAR 17, 2005
 ISSUED DATE 3/23/05

SIZE A SCALE

OUTLINE
 19L1265WP4

SHEET 2 CONT ON 3