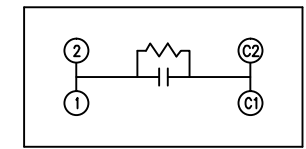
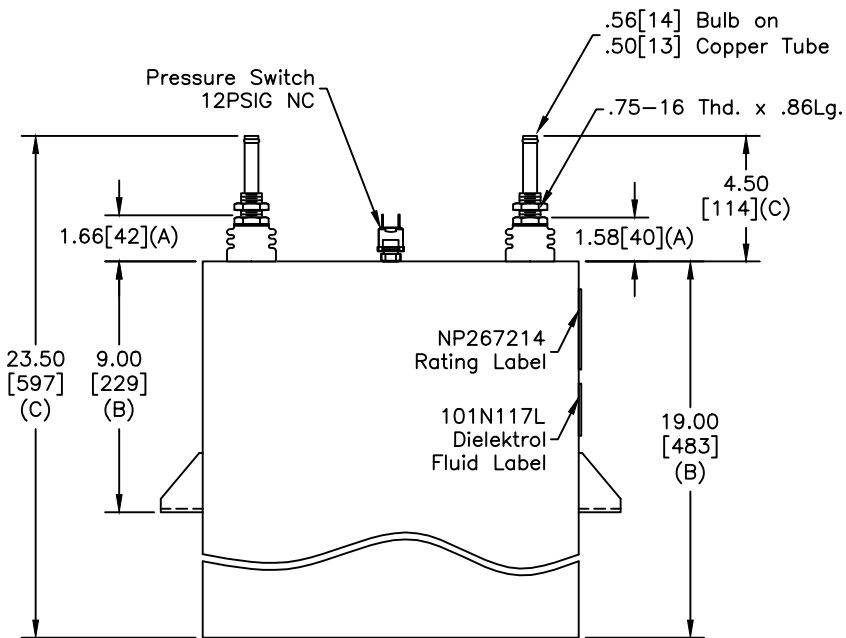
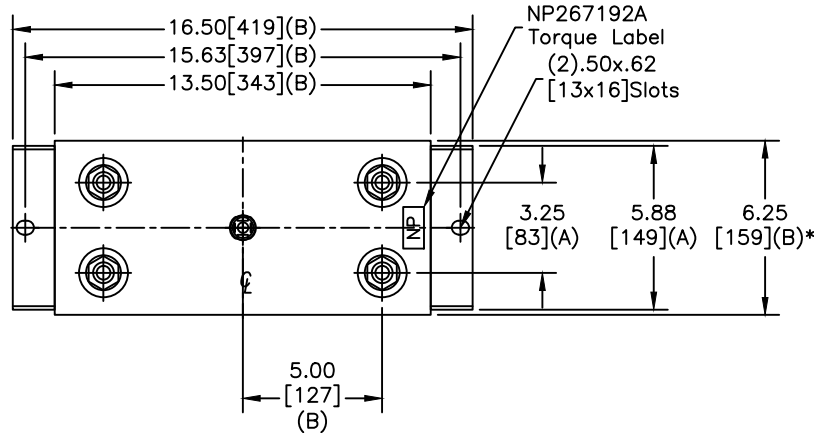


TOL	+/-
A	.06
B	.12
C	.18
D	.50
E	.04
BUSH. DIA. 1.75[44](B)	

SIZE	DWG NO	SHT	REV
A	19L1299WH4	2	
REV	DESCRIPTION	DATE	APPROVED



SCHMATIC DIAGRAM - 107

**GE CAPACITOR**  
WITH INTERNAL DISCHARGE RESISTORS  
CAT. 19L1299WH4 SN  
3257KVAR 2400V 1200HZ 1PH  
75UF/TAP  
2.42 GAL. COMBUSTIBLE LIQUID  
CAUTION! BEFORE INSTALLING OR  
OPERATING READ GEH-2733  
MADE IN USA NP267214

\* UP TO +.50[13] CASE BULGE

MAX. TERMINAL TIGHTENING TORQUE 15 FT-LBS.

NP267192A

<b>GE ENERGY</b> FORT EDWARD, N.Y., U.S.A.		SIZE A
DRAWN DMR	DATE 2/14/12	Est Weight 79 lbs.
ISSUED	DATE 2/14/12	
		SCALE WC15

<b>OUTLINE</b> <b>19L1299WH4</b>		
SHEET 2	CONT ON	3

DISTR. TO