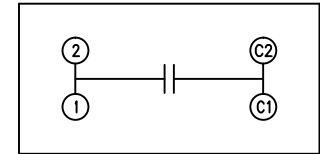
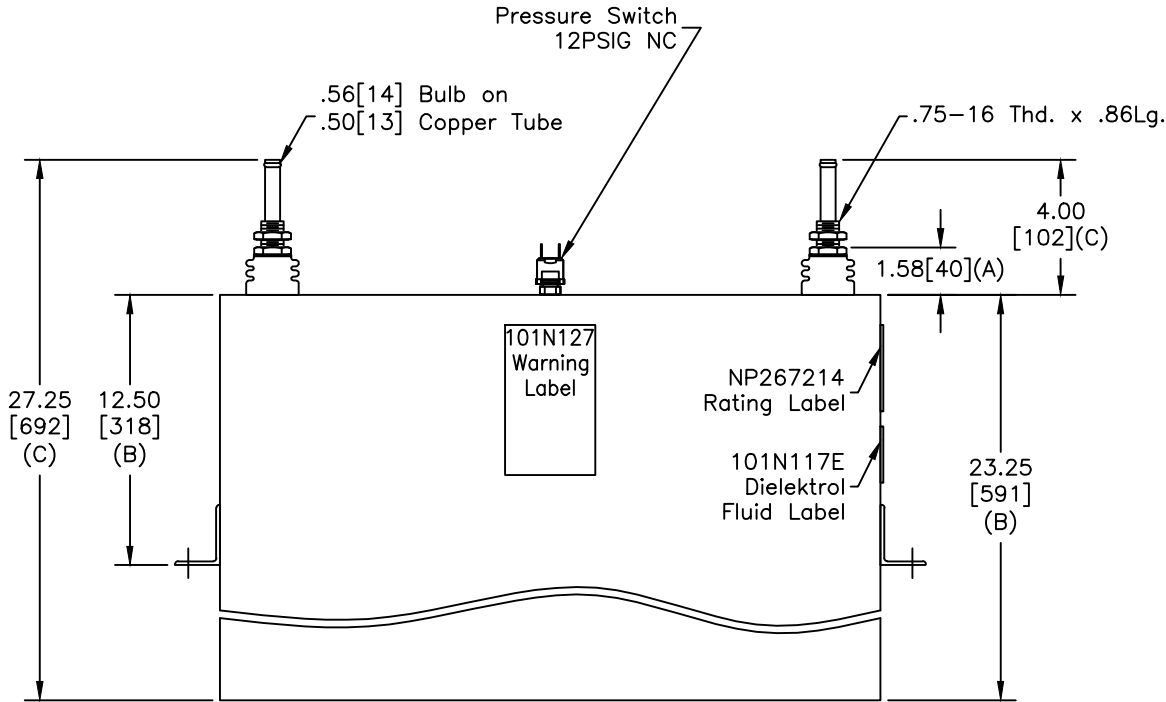
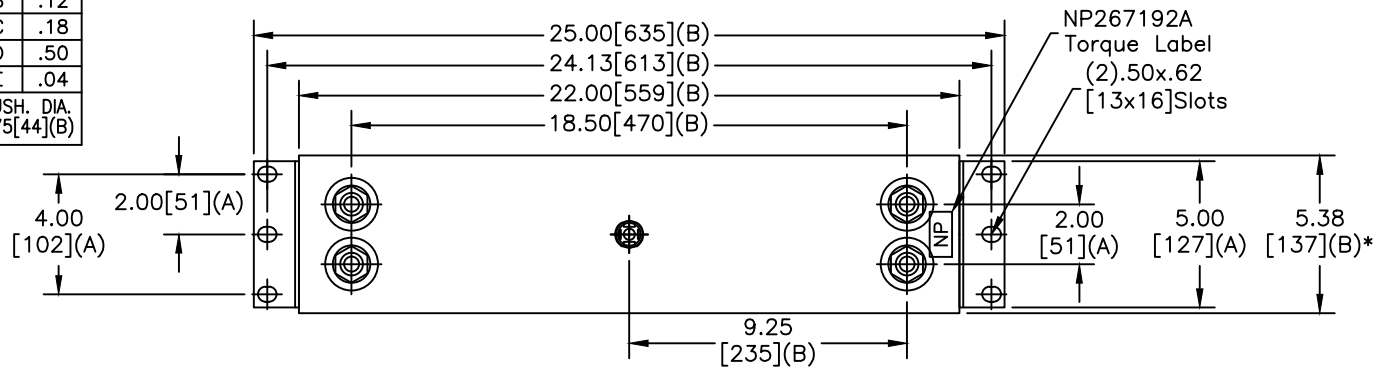


SIZE A	DWG NO 19L1301TH4	SHT 2	REV
REV	DESCRIPTION	DATE	APPROVED

TOL	+/-
A	.06
B	.12
C	.18
D	.50
E	.04
BUSH. DIA.	1.75[44](B)



SCHEMATIC DIAGRAM - 105

GE CAPACITOR
WITH INTERNAL DISCHARGE RESISTORS
CAT. 19L1301TH4 SN
900 VDC 5000 UF
2500 ARMS
5.5 GAL. COMBUSTIBLE LIQUID
CAUTION! BEFORE INSTALLING OR
OPERATING READ GEH-2733
MADE IN U.S.A. NP267214

* UP TO +.75[19] CASE BULGE

MAX. TERMINAL TIGHTENING TORQUE 15 FT-LBS.

NP267192A

GE ENERGY FORT EDWARD, N.Y., U.S.A.		SIZE A	Est Weight 135 lbs.	OUTLINE 19L1301TH4
DRAWN DMR	DATE 2/14/2012	SCALE		
ISSUED	DATE 2/14/2012	WC1	SHEET 2	CONT ON 3

DISTR. TO