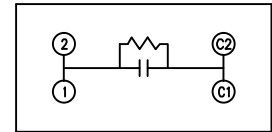
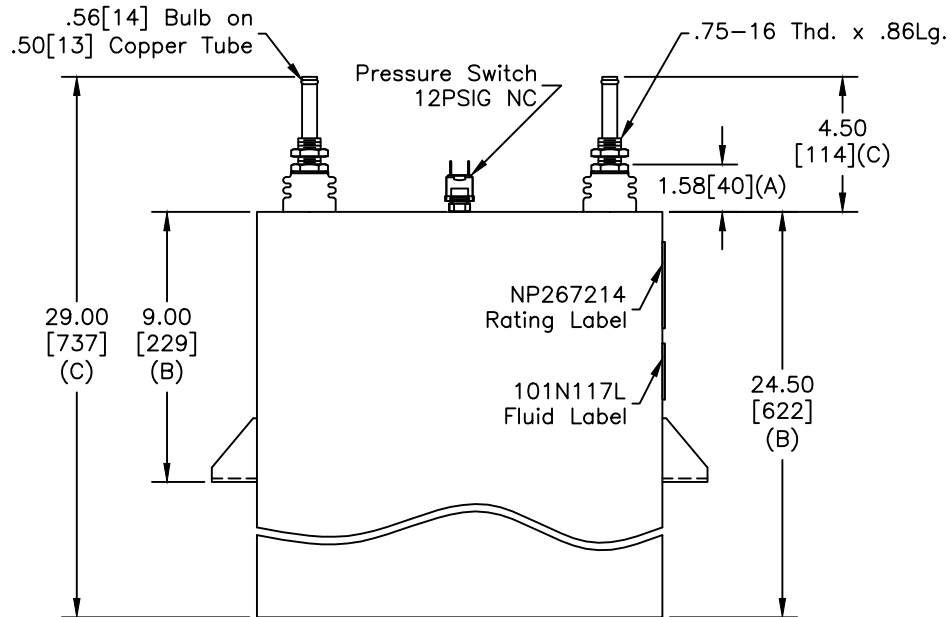
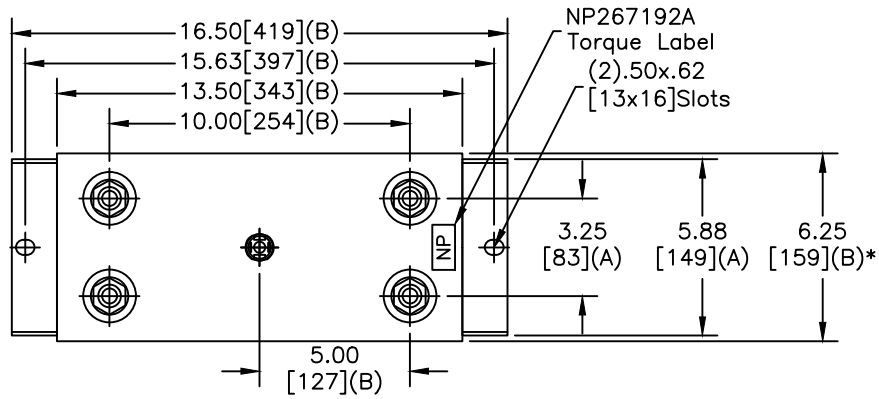


SIZE A	DWG NO 19L1328WH4	SHT 2	REV
REV	DESCRIPTION	DATE	APPROVED

TOL	+/-
A	.06
B	.12
C	.18
D	.50
E	.04
BUSH. DIA.	1.75[44](B)



SCHEMATIC DIAGRAM - 107

GE CAPACITOR
WITH INTERNAL DISCHARGE RESISTORS

CAT. 19L1328WH4 SN
4260KVAR 1500V 1100HZ 1PH
273.9 UF
2.92 GAL. COMBUSTIBLE LIQUID
CAUTION! BEFORE INSTALLING OR
OPERATING READ GEH-2733

MADE IN USA NP267214

* UP TO +.50[13] CASE BULGE

MAX. TERMINAL TIGHTENING TORQUE 15 FT-LBS.

NP267192A

GE ENERGY FORT EDWARD, N.Y., U.S.A.		SIZE A	Est Weight 106 lbs.	OUTLINE 19L1328WH4	
DRAWN JBC	DATE 1/6/2015	SCALE			
ISSUED	DATE 1/28/15	WC1	SHEET 2	CONT ON -	DISTR. TO