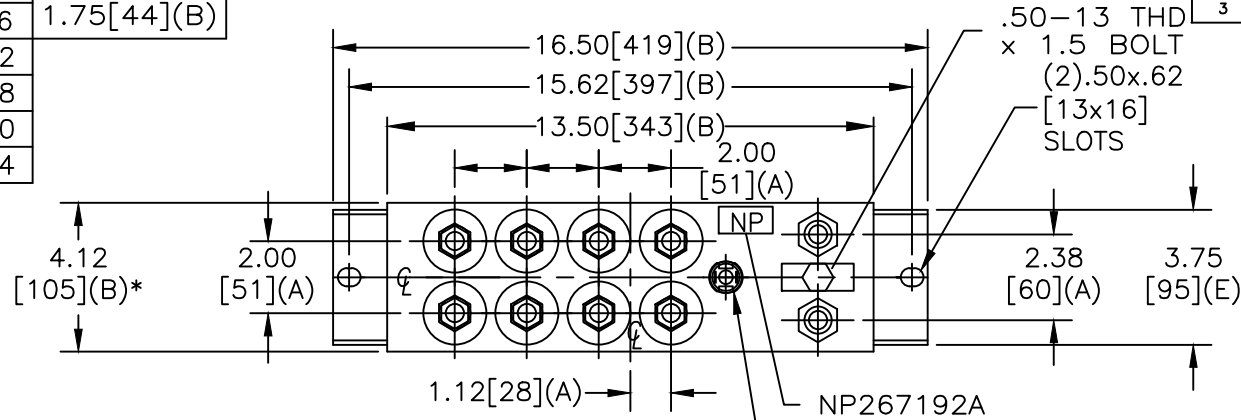
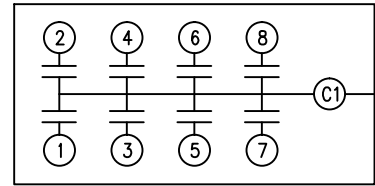


SIZE A	DWG NO 19L0562WH4	SHT 2	REV 3
REV 3	DESCRIPTION SCALE COVER CHG FLD LBL	DATE 1/4/2012	APPROVED JBC

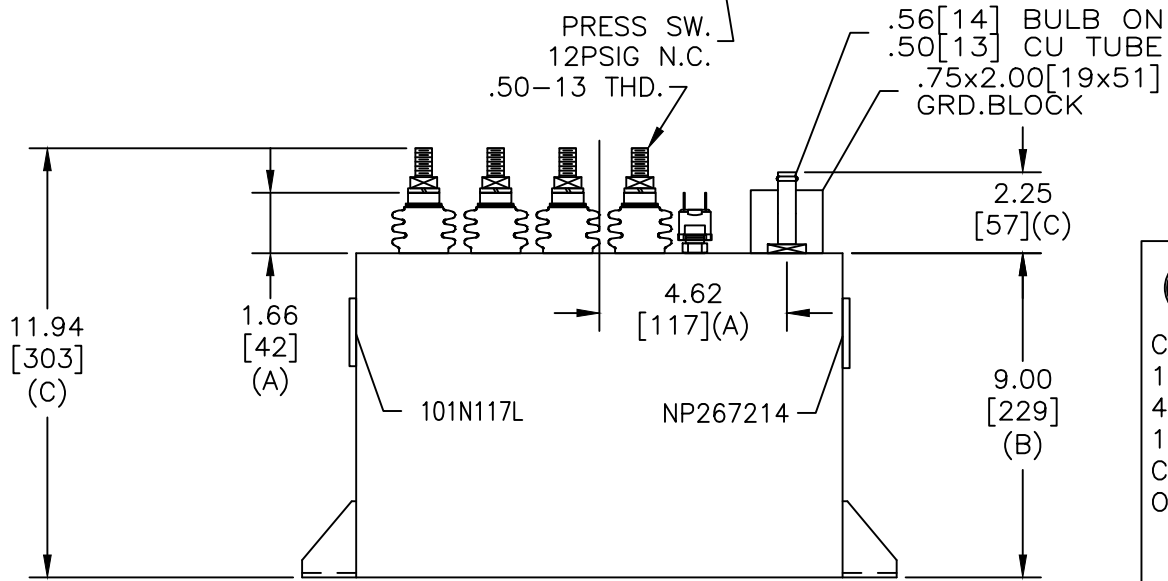
TOL	+/-	BUSH. DIA.
A	.06	1.75[44](B)
B	.12	
C	.18	
D	.50	
E	.04	



TERM	uF	kVAR
1	1.70	50
2	1.70	50
3	1.70	50
4	1.70	50
5	6.79	200
6	6.79	200
7	10.18	300
8	10.18	300



SCHEMATIC DIAGRAM - 806



GE CAPACITOR
NO INTERNAL DISCHARGE RESISTORS
CAT. 19L0562WH4 SN
1200KVAR 1250V 3000HZ 1PH
4X1.70+2X6.79+2X10.18 UF/TAP
1.08 GAL. COMBUSTIBLE LIQUID
CAUTION! BEFORE INSTALLING OR
OPERATING READ GEH-2733
MADE IN U.S.A. NP267214

* UP TO +.50[13] CASE BULGE

MAX. TERMINAL TIGHTENING TORQUE 15 FT-LBS
NP267192A

GE ENERGY FORT EDWARD, N.Y., U.S.A.		SIZE A
DRAWN TMO	DATE 3/7/97	SCALE
ISSUED	DATE 3/12/97	

OUTLINE 19L0562WH4	
SHEET 2	CONT ON -

DISTR. TO