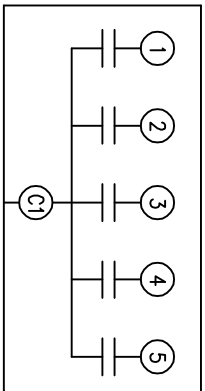
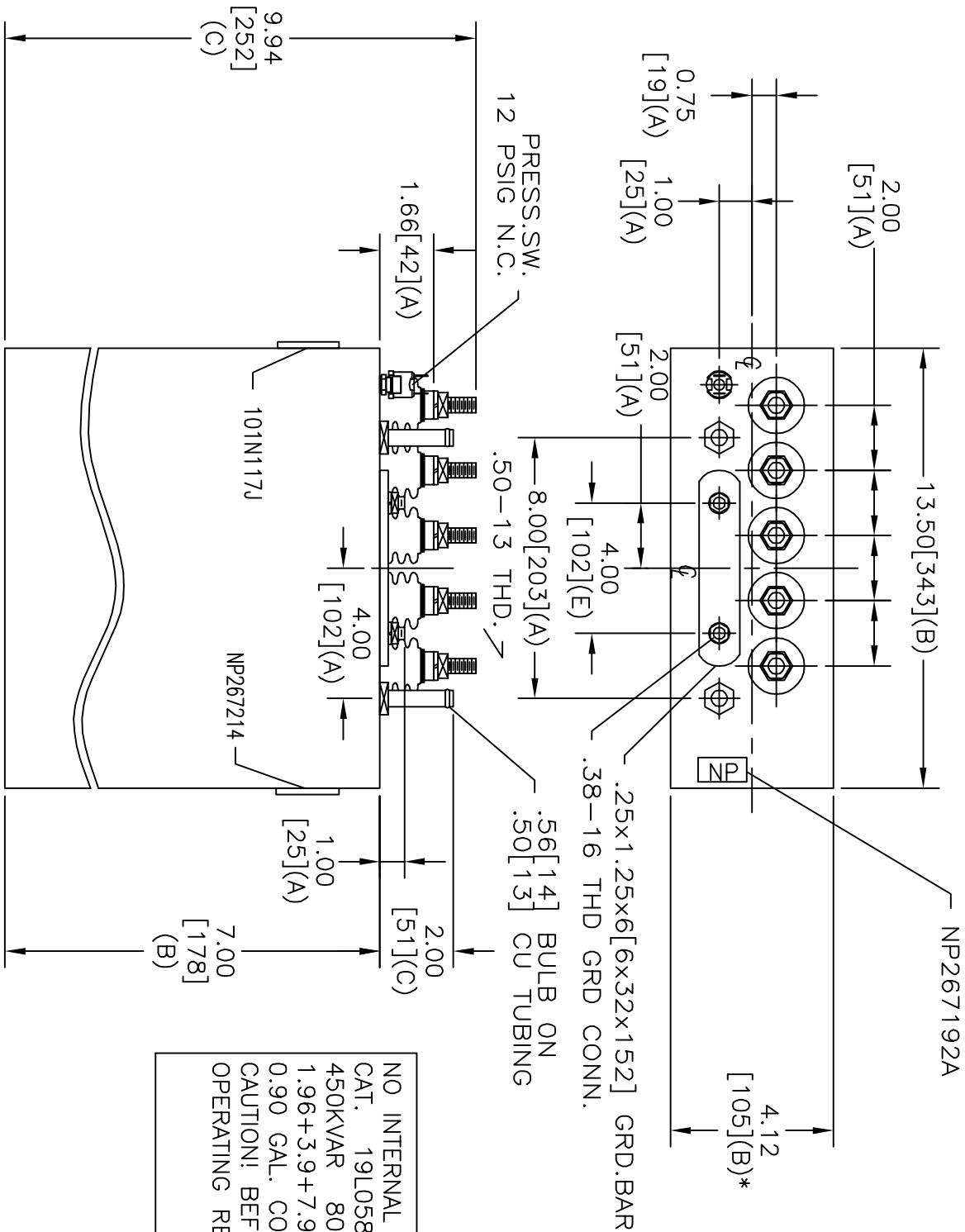


SIZE	DWG NO	SHT	REV
A	19L0588WH2	2	1
REV	DESCRIPTION	DATE	APPROVED
1	CHG NP	11/30/05	BTR

TERM	UF	KVAR
1	1.96	23.7
2	3.90	47.3
3	7.90	94.7
4	11.80	142.1
5	11.80	142.1



NO INTERNAL DISCH RESISTORS
 CAT. 19L0588WH2 SN
 450KVAR 800V 3000HZ 1PH
 1.96+3.9+7.9+2x11.8 UF/TAP
 0.90 GAL. COMBUSTIBLE LIQUID
 CAUTION! BEFORE INSTALLING OR
 OPERATING READ GEH-2733

NP267214

* UP TO +.50 [13]
 CASE BULGE

MAX. TERMINAL
 TIGHTENING TORQUE
 15 FT-LBS

 INDUSTRIAL SYSTEMS FORT EDWARD, N.Y., U.S.A.		SIZE	A
		SCALE	
DRAWN	B.ROSS	DATE	NOV 19, 2002
ISSUED		DATE	11/20/02

OUTLINE
 19L0588WH2