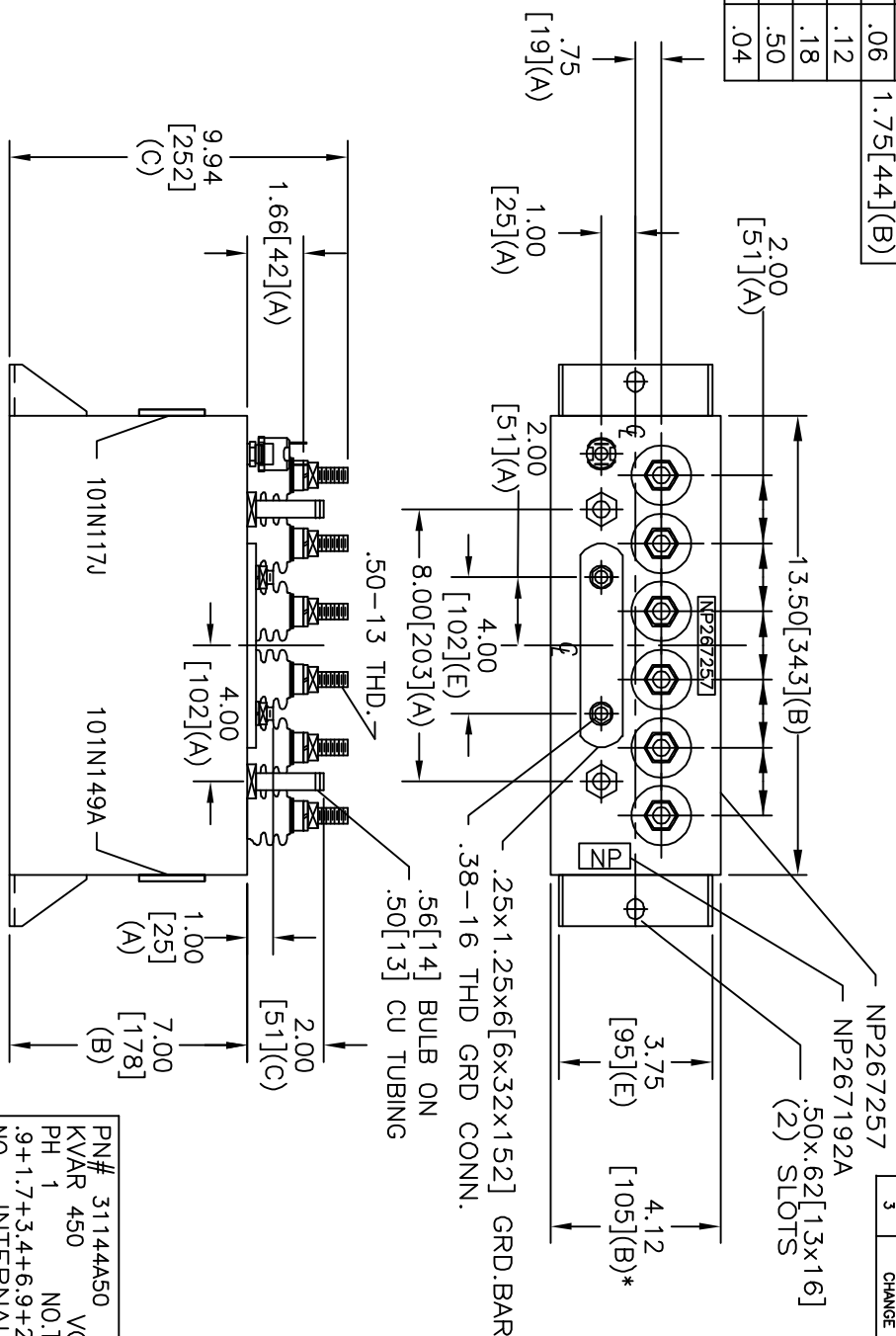
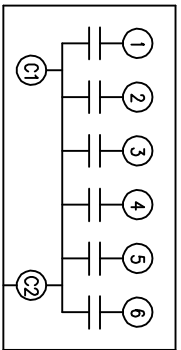


TOL	+/-	BUSH. DIA.
A	.06	1.75[44](B)
B	.12	
C	.18	
D	.50	
E	.04	



SIZE	DWG NO	SHT	REV
A	19L0609W44	2	3
REV	DESCRIPTION	DATE	APPROVED
3	CHANGE NAMEPLATE	7-14-04	EJM

TERM	UF	KVAR
1	0.856	10
2	1.713	20
3	3.425	40
4	6.850	80
5	12.85	150
6	12.85	150



SCHEMATIC DIAGRAM - 601

PN# 31144A50 SER. NO. 440 HZ 9600
 KVAR 450 VOLTS 440V 9600HZ
 PH 1 NO. TAPS 6 MFD/TAP
 .9+1.7+3.4+6.9+2x12.9UF/TAP
 NO. INTERNAL DISCH RESISTORS
 CONTAINS 0.81 GAL. NO PCB
 COMBUSTIBLE FLUID. OSHA CLASS III-B
 101N149A MADE IN USA

31144A50
 450KVAR 440V 9600HZ
 10+20+40+80+2x150 KVAR/TAP

* UP TO +.50[13]
 CASE BULGE

MAX. TERMINAL
 TIGHTENING TORQUE
 15 FT-LBS

NP267192A

INDUSTRIAL SYSTEMS FORT EDWARD, N.Y., U.S.A.		DATE	6-1-98
DRAWN	E. McGinn	DATE	6-3-98
ISSUED		DATE	6-3-98

SIZE	A	SHEET	2
SCALE		CONT	ON
OUTLINE		19L0609W44	

DISTR. TO