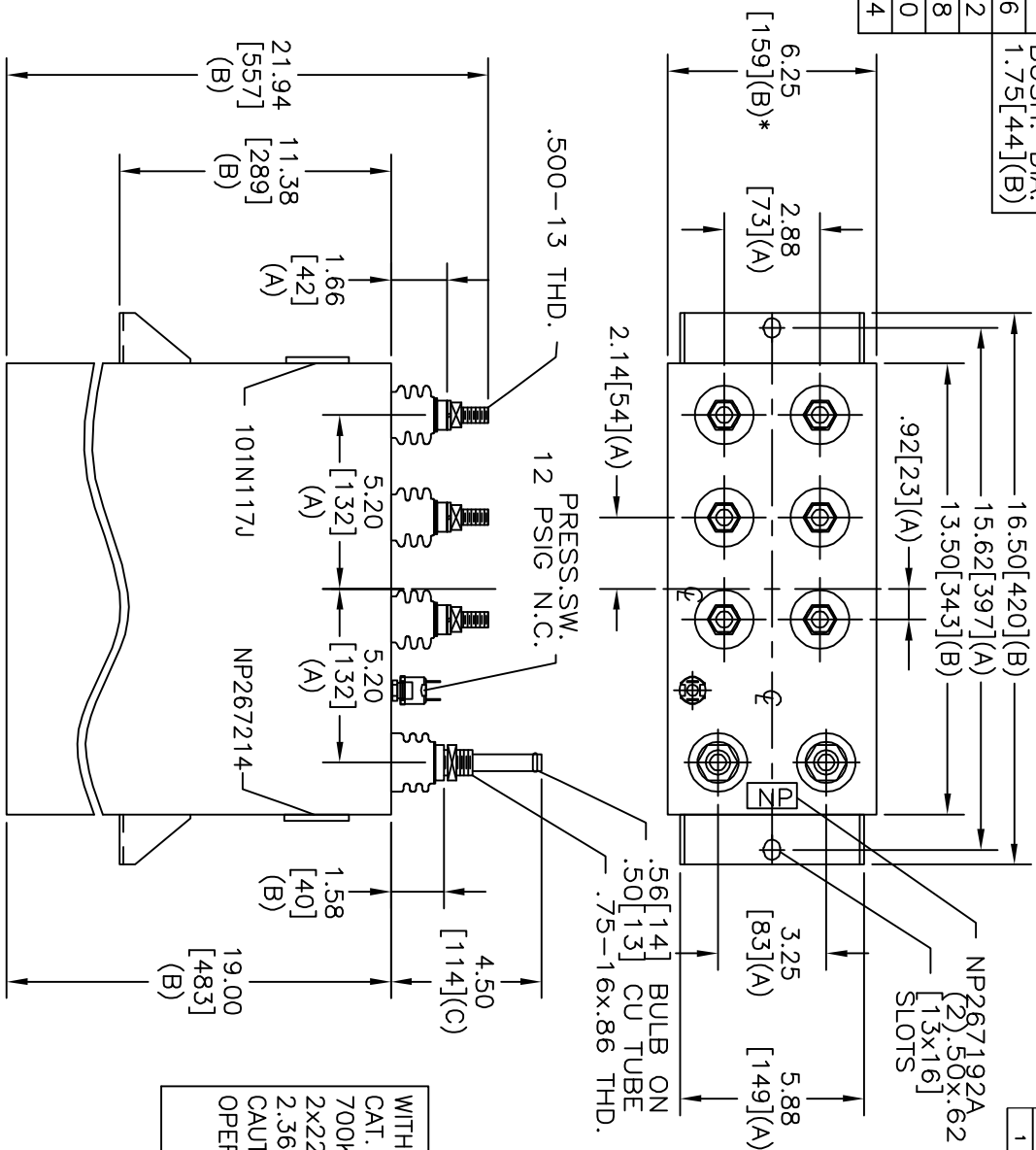
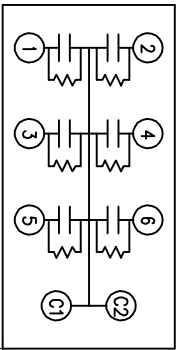


TOL	+/-	BUSH. DIA.
A	.06	1.75[44](B)
B	.12	
C	.18	
D	.50	
E	.04	



SIZE	DWG NO	SHT	REV
A	19L0718WH4	2	1
REV	DESCRIPTION	DATE	APPROVED
1	UPDATE CAT NO	2/18/04	BTR

TERM	UF	KVAR
1	22.92	58.3
2	22.92	58.3
3	45.85	116.7
4	45.85	116.7
5	68.77	175
6	68.77	175



SCHEMATIC DIAGRAM - 617

WITH INTERNAL DISCH RESISTORS
 CAT. 19L0718WH4 SN
 700KVAR 1500V 180HZ 1PH
 2x22.9+2x45.9+2x68.8 UF/TAP
 2.36 GAL. COMBUSTIBLE LIQUID
 CAUTION! BEFORE INSTALLING OR
 OPERATING READ GEH-2733
 NP267214

* UP TO +.50 [13]
 CASE BULGE

MAX. TERMINAL
 TIGHTENING TORQUE
 15 FT-LBS

NP267192A

INDUSTRIAL SYSTEMS
FORT EDWARD, N.Y., U.S.A.

DRAWN B. ROSS
 DATE AUG 29, 1996

ISSUED DATE 9-4-96

SIZE **A**

SCALE

OUTLINE

19L0718WH4

SHEET 2 CONT -