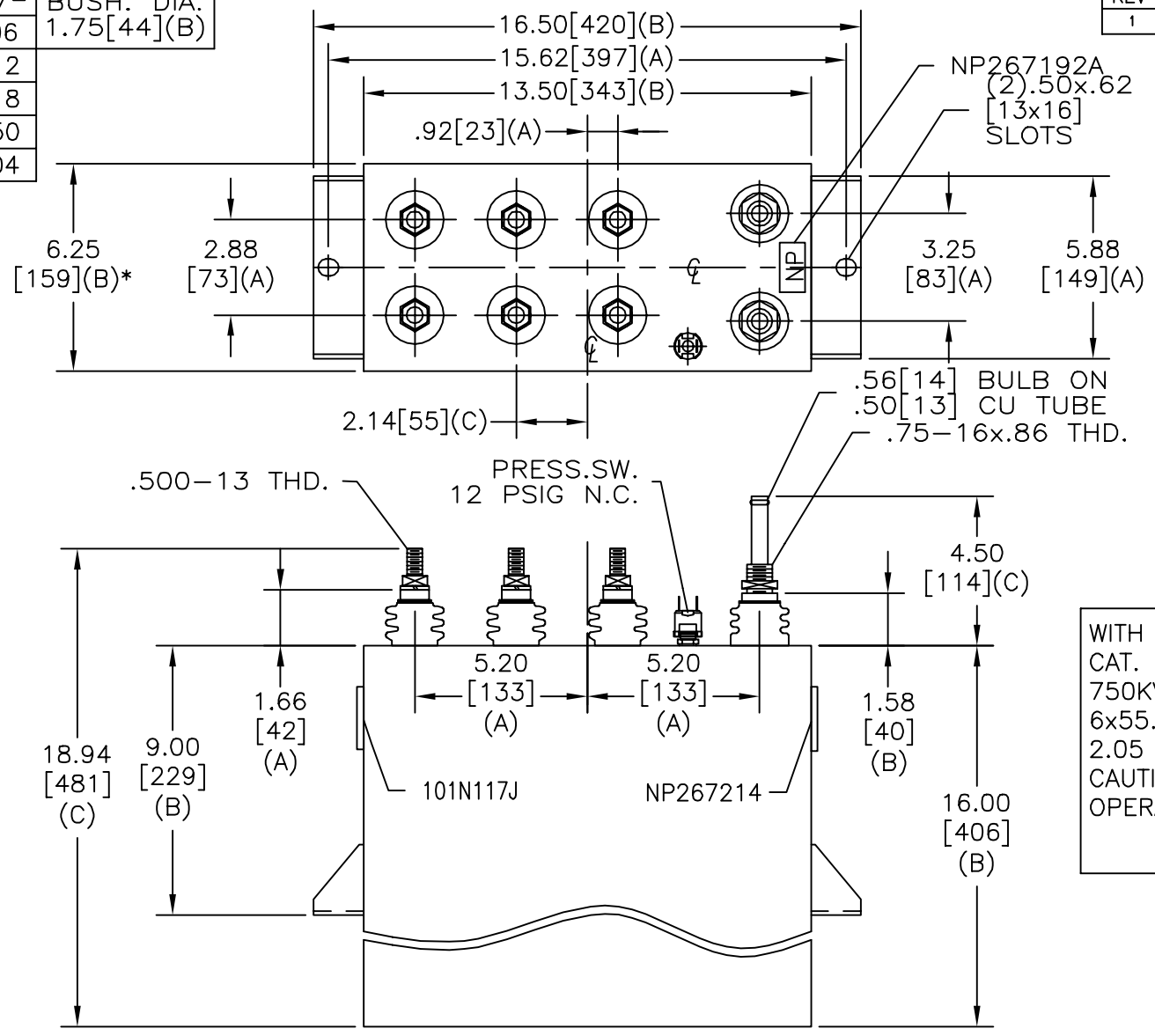
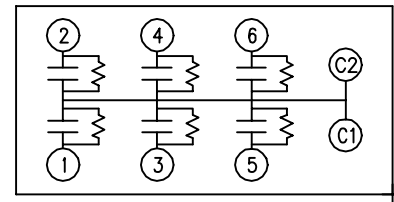


SIZE A	DWG NO 19L0998WH4	SHT 2	REV 1
REV 1	DESCRIPTION UPDATE CAT NO.	DATE 9/25/03	APPROVED BTR

TOL	+/-	BUSH. DIA. 1.75[44](B)
A	.06	
B	.12	
C	.18	
D	.50	
E	.04	



TERM	uF	kVAR
1	55.26	125
2	55.26	125
3	55.26	125
4	55.26	125
5	55.26	125
6	55.26	125



WITH INTERNAL DISCH RESISTORS  
 CAT. 19L0998WH4 SN  
 750KVAR 1200V 250HZ 1PH  
 6x55.26 UF/TAP  
 2.05 GAL. COMBUSTIBLE LIQUID  
 CAUTION! BEFORE INSTALLING OR  
 OPERATING READ GEH-2733  
 NP267214

\* UP TO +.50[13]  
 CASE BULGE

MAX. TERMINAL  
 TIGHTENING TORQUE  
 15 FT-LBS

NP267192A

<b>INDUSTRIAL SYSTEMS</b> FORT EDWARD, N.Y., U.S.A.		SIZE A
DRAWN EPC	DATE AUG 29, 1996	SCALE
ISSUED	DATE 9/4/96	

OUTLINE 19L0998WH4		
SHEET 2	CONT ON	3

DISTR. TO