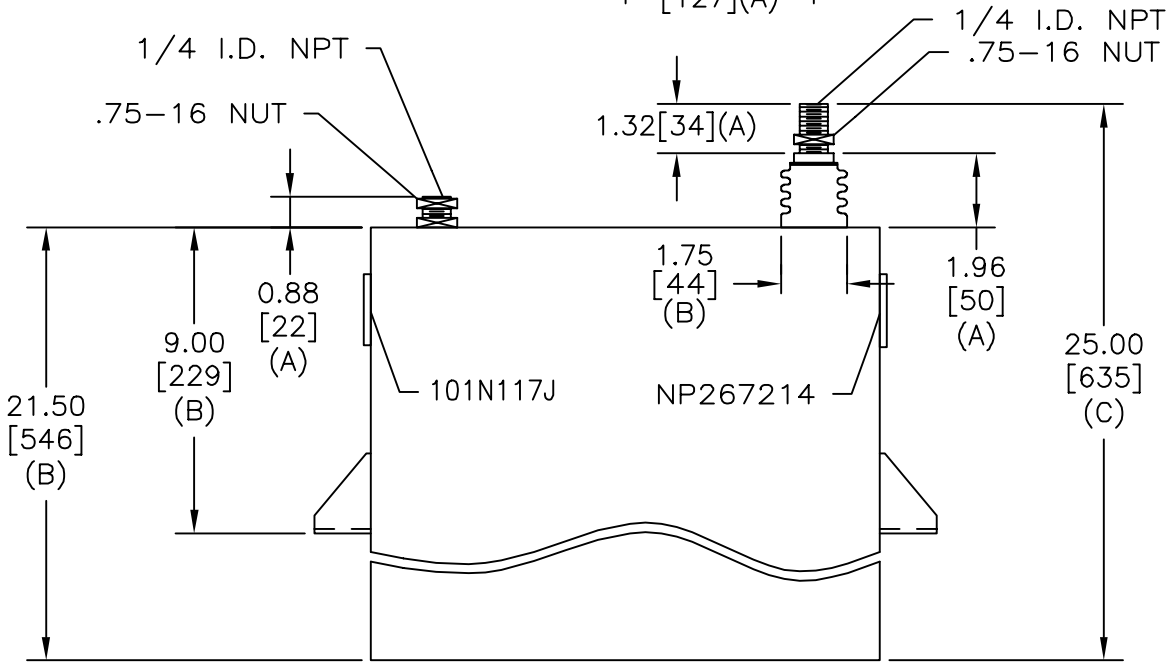
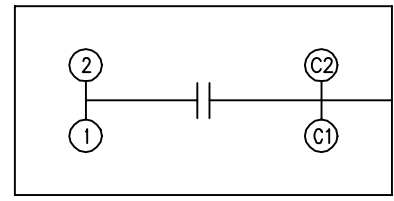
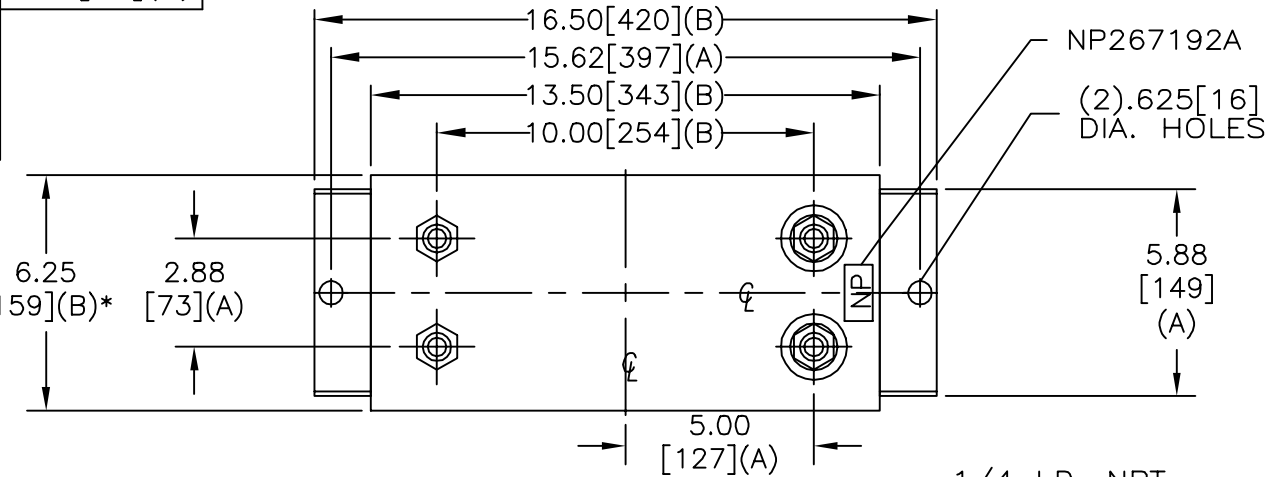


SIZE A	DWG NO 19L1014WH3	SHT 2	REV
REV	DESCRIPTION	DATE	APPROVED

TOL	+/-
A	.06
B	.12
C	.18
D	.50
E	.04



NO INTERNAL DISCH RESISTORS
 CAT. 19L1014WH3 SN
 2050 KVAR 1090V 500HZ 1PH
 549.2 UF
 2.57 GAL. COMBUSTIBLE LIQUID
 CAUTION! BEFORE INSTALLING OR
 OPERATING READ GEH-2733

NP267214

* UP TO +.50[13] CASE BULGE

MAX. TERMINAL TIGHTENING TORQUE 15 FT-LBS

NP267192A

INDUSTRIAL SYSTEMS FORT EDWARD, N.Y., U.S.A.		SIZE 	OUTLINE 19L1014WH3	
DRAWN	B. ROSS	DATE		
ISSUED		DATE	8/7/02	SCALE
			SHEET	2
			CONT ON	3

DISTR. TO