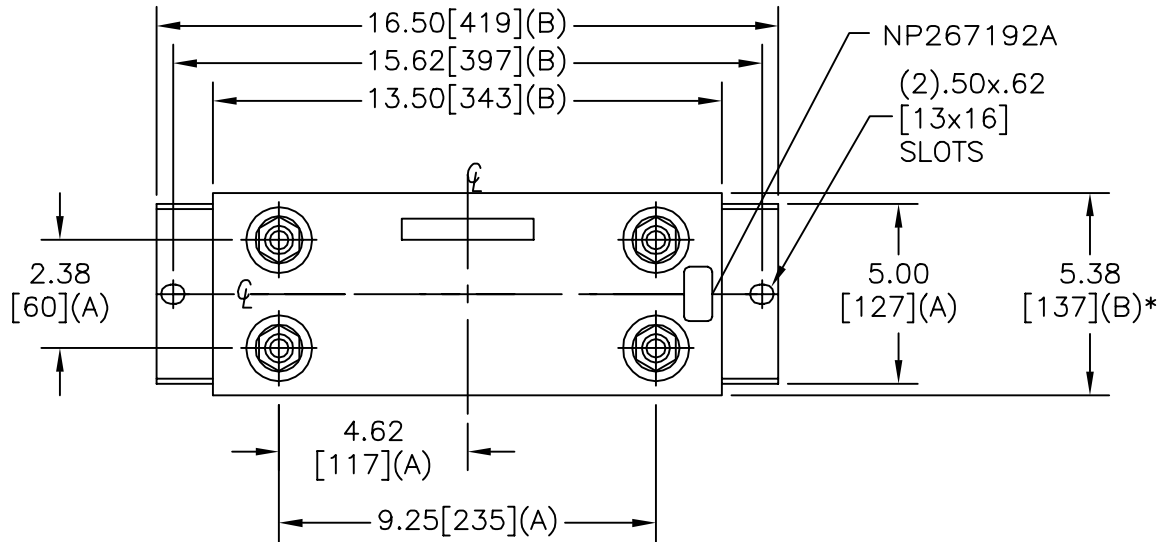
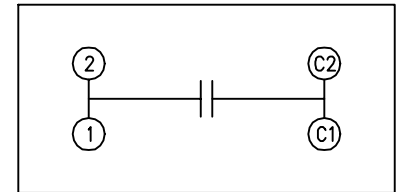


SIZE A	DWG NO 19L1214WP4	SHT 2	REV 1
REV 1	DESCRIPTION ADD BKT DIM	DATE 5/21/03	APPROVED BTR

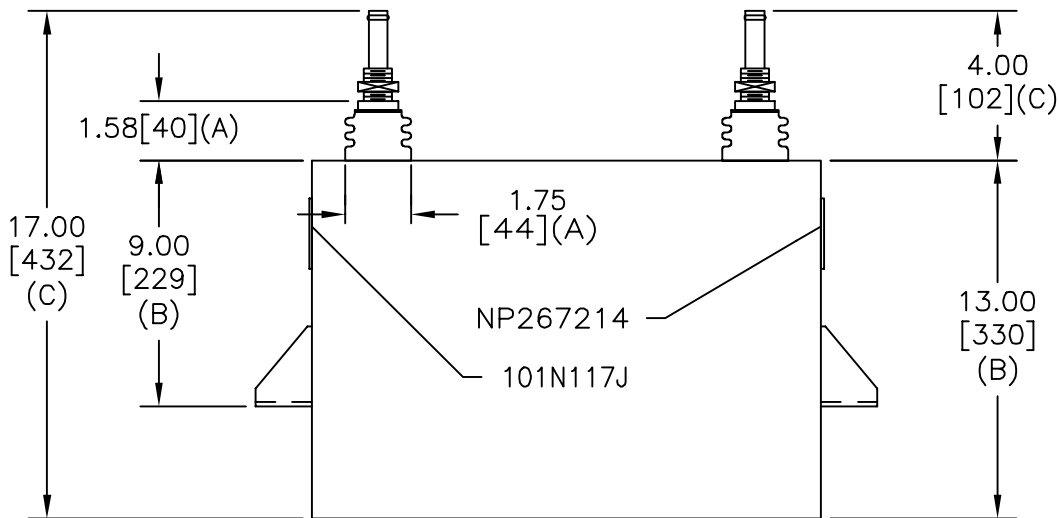


* UP TO +.50 CASE BULGE

TOL	+/-
A	.06
B	.12
C	.18
D	.50
E	.04



SCHEMATIC DIAGRAM - 105



NO INTERNAL DISCH RESISTORS
 CAT. 19L1214WP4 SN
 1600KVAR 1250V 1200HZ 1PH
 135.8 UF
 2.07 GAL. COMBUSTIBLE LIQUID
 CAUTION! BEFORE INSTALLING OR
 OPERATING READ GEH-2733

NP267214

PILLAR PT. PP402-470

NP180619

MAX. TERMINAL
 TIGHTENING TORQUE
 15 FT-LBS

NP267192A



INDUSTRIAL SYSTEMS
 FORT EDWARD, N.Y., U.S.A.

DRAWN B.ROSS DATE JAN 2, 2003

ISSUED DATE 1/22/03

SIZE

A

SCALE

OUTLINE
 19L1214WP4

SHEET 2 CONT ON 3

DISTR. TO