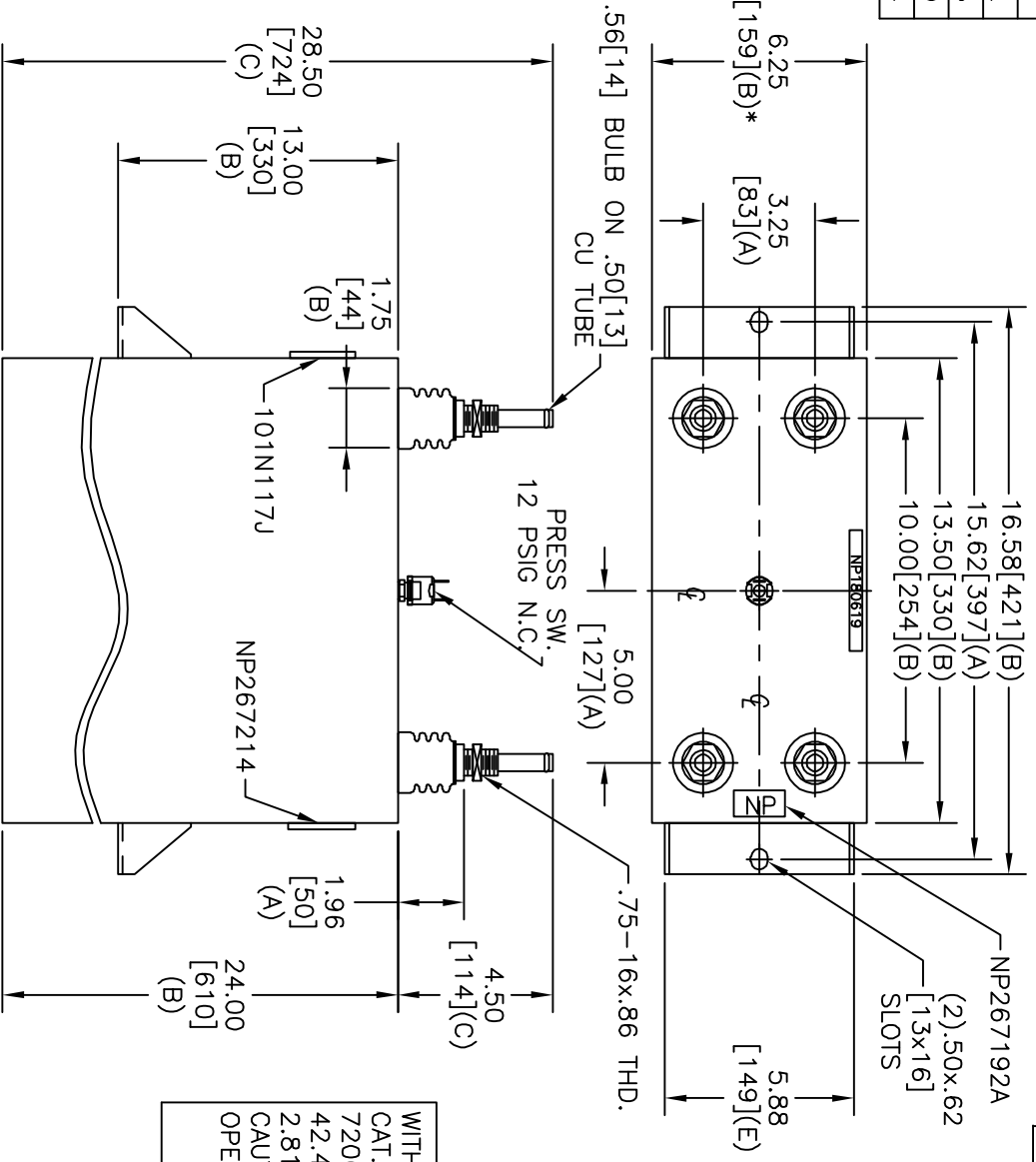
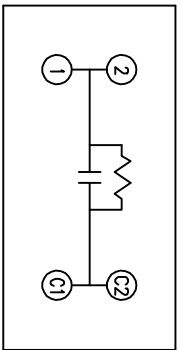


TOL	+/-
A	.06
B	.12
C	.18
D	.50
E	.04



SIZE	DWG NO	SHT	REV
A	19L1234WP4	2	
REV	DESCRIPTION	DATE	APPROVED



SCHEMATIC DIAGRAM - 107

WITH INTERNAL DISCH RESISTORS
 CAT. 19L1234WP4 SN
 7200KVAR 3000V 3000HZ 1PH
 42.44 UF
 2.81 GAL. COMBUSTIBLE LIQUID
 CAUTION! BEFORE INSTALLING OR
 OPERATING READ GEH-2733
 NP267214

PP 420-484
 NP180619

* UP TO +.50 [13]
 CASE BULGE

MAX. TERMINAL
 TIGHTENING TORQUE
 15 FT-LBS

NP267192A

INDUSTRIAL SYSTEMS FORT EDWARD, N.Y., U.S.A.		DATE	12/17/03
		DATE	DEC 15, 2003
ISSUED	B. ROSS	DATE	12/17/03

SIZE	A
SCALE	
<h1>OUTLINE</h1> <h2>19L1234WP4</h2>	
SHEET	2
CONT	3

DISTR. TO