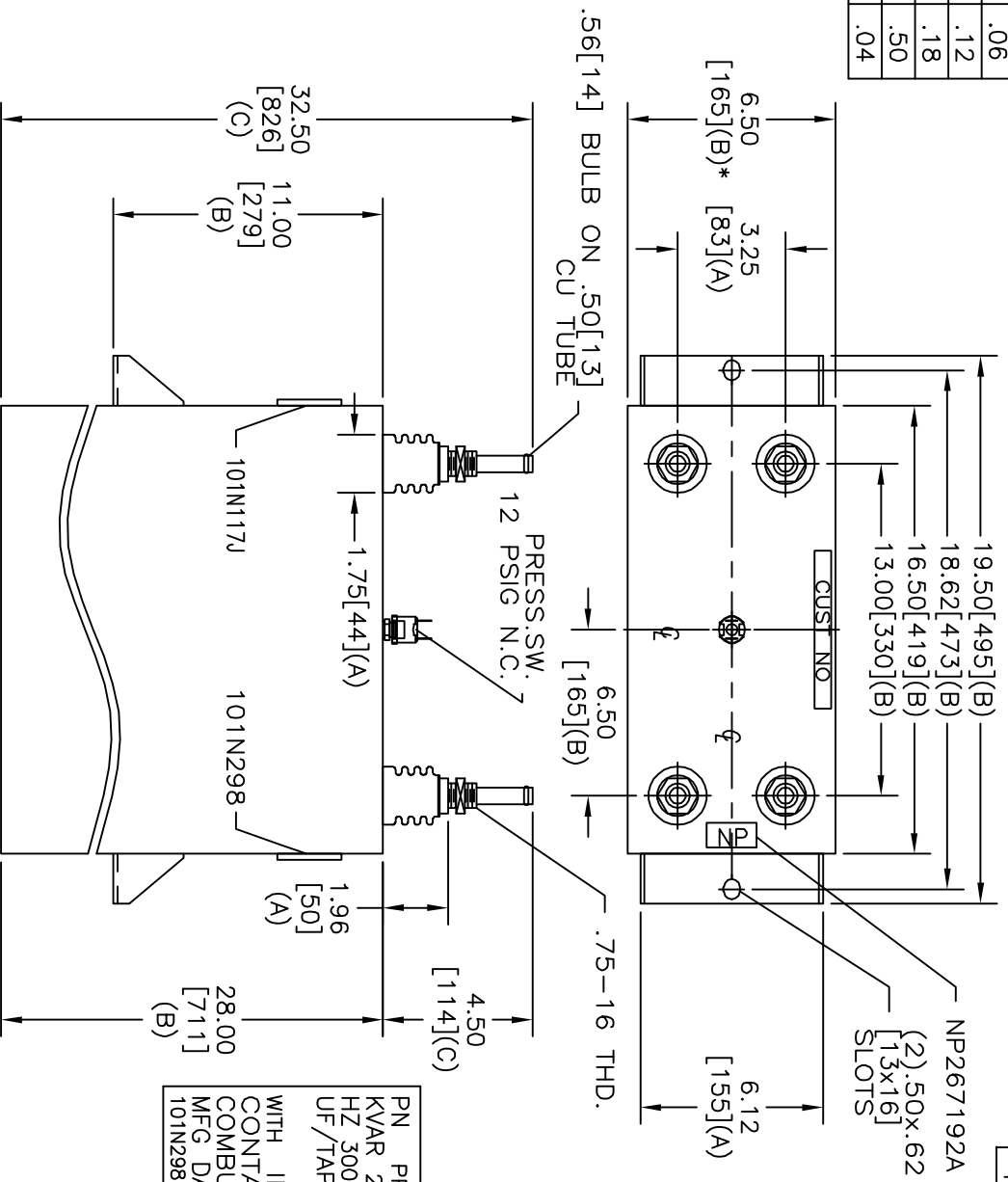
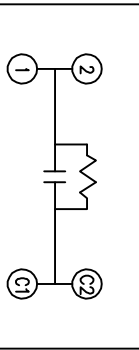


TOL	+/-
A	.06
B	.12
C	.18
D	.50
E	.04



SIZE	DWG NO	SHT	REV
A	19L1235WP4	2	1
REV	DESCRIPTION	DATE	APPROVED
1	CHG NPS	10/20/04	BTR



SCHEMATIC DIAGRAM - 107

PN PP 402-486 SER. NO.
 KVAR 2520 VOLTS 1800
 HZ 300 PH 1 NO. TAPS 1
 UF/TAP 412.6

WITH INTERNAL DISCH RESISTORS
 CONTAINS 3.90 GALS. NO PCB
 COMBUSTIBLE FLUID OSHA CLASS III-B
 MFG DATE
 101N298
 MADE IN USA

PILLAR INDUCTION COMPANY
 PP 402-486

* UP TO +.50 [13]
 CASE BULGE

MAX. TERMINAL
 TIGHTENING TORQUE
 15 FT-LBS

NP267192A

		INDUSTRIAL SYSTEMS FORT EDWARD, N.Y., U.S.A.	
DRAWN	B. ROSS	DATE	JAN 6, 2003
ISSUED		DATE	1/7/03

SIZE
A
SCALE

OUTLINE
19L1235WP4

SHEET 2 CONT 3

DISTR. TO